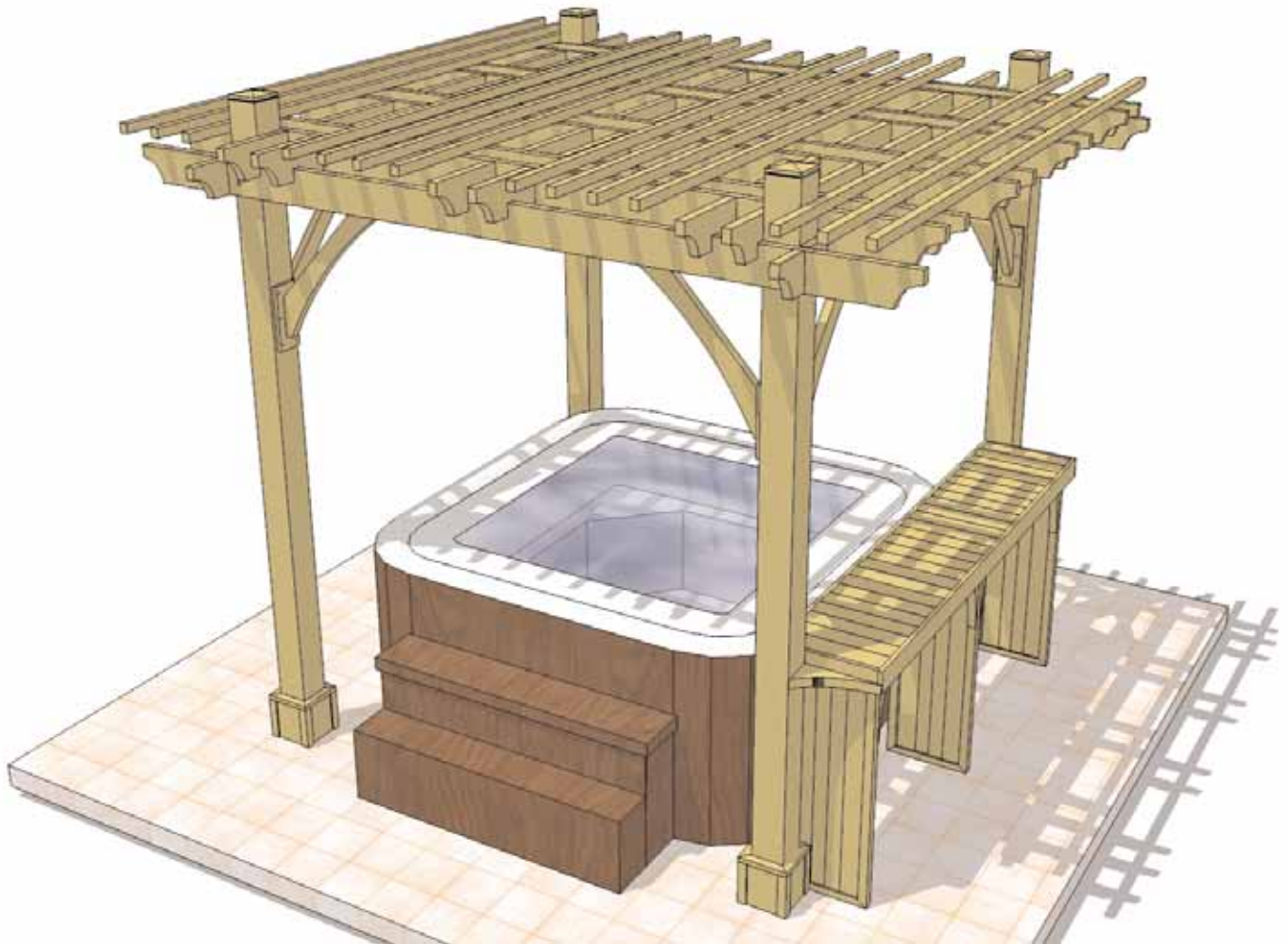


9'X11' Spa Breeze Assembly Manual Outdoor Living Today

Revision 2
March 24, 2009



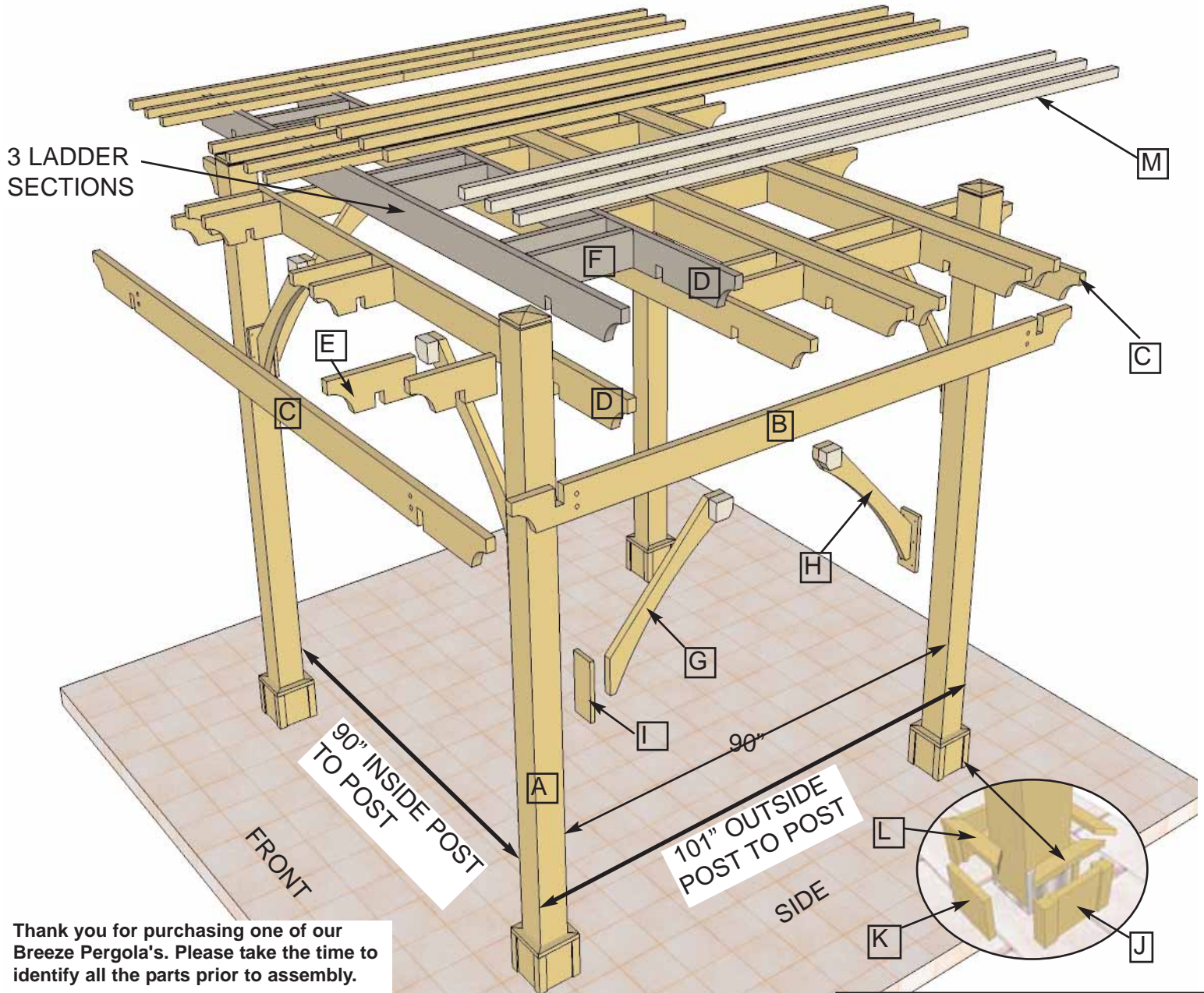
Note: Post Mounting Hardware is **NOT** included in this kit. Please confirm with your local building permit office to determine the correct hardware in your area.

If you plan to paint or stain your Spa Breeze before assembly, be sure to scribe or mark the top edge of Joist where Stub Joists and Ladder Blockings are pre-marked. Painting or staining may cover up markings making it more difficult to align components later.

Customers agree to hold Outdoor Living Today and any Authorized Dealers free of any liability for improper installation, maintenance and repair of any Outdoor Living Today products.

In the event of a missing or broken piece, simply call the Outdoor Living Today Customer Support Line @ 1-888-658-1658 within 30 days of the delivery of your purchase. It is our commitment to you to courier replacement parts, free of charge, within 10 business days of this notification. Replacement parts will not be provided free of charge after the 30 day grace period.

9X11 SPA BREEZE PERGOLA



Thank you for purchasing one of our Breeze Pergola's. Please take the time to identify all the parts prior to assembly.

Parts Lists:

	Finished Size			
	T	W	L	Qty.
A - Posts	5 3/8"	5 3/8"	108"	4
B - Girder (deep notch on top)	1 1/2"	5 1/2"	119"	2
C - Girder (deep notch on bottom)	1 1/2"	5 1/2"	138"	2
D - Joist (shallow notch on bottom)	1 1/2"	5 1/2"	138"	8
E - Stub Joist	1 1/2"	5 1/2"	14 1/2"	12
F - Ladder Blocking	1 1/2"	5 1/2"	18 5/8"	18
G - Left Corner Brackets	1 1/2"	5 1/2"	34 3/4"	4
H - Right Corner Brackets	1 1/2"	5 1/2"	34 3/4"	4
I - Corner Bracket Post Mount	3/4"	4 1/2"	10 1/2"	8
J - Post Skirting- Slotted	1 1/2"	8 3/8"	5 3/8"	8
K - Post Skirting	3/4"	5 7/8"	5 3/8"	8
L - Post Skirting Caps	3/4"	8 3/8"	1 1/2"	16
M - 2x2 Cross Members	1 1/2"	1 1/2"	119"	14
O - 2x2 Cross Members Template	1 1/2"	1 1/2"	5 1/4"	2
Optional Bar/Bench				
P - Bar Top	3 1/2"	90"	18" Deep	1
Q - Leg Panels	1 1/2"	15"	39 1/4"	3
R - Leg Support Brackets (Pilot Holed)	1 1/2"	5 1/2"	10 1/2"	8
S - Bar/Post Support Bracket (Drilled)	1 1/2"	5 1/2"	10 1/2"	2

Hardware Kit Includes;

- 4", 2 1/2" Screws
- 2" Stainless Steel Screws for Post Mounts (I)
- 3/8" Lag Screws
- 3/8" Flat Washers
- 16 - Finishing Nails for Post Skirting Caps
- 8 - 1 1/2" long wooden Dowels
- 1 - Square Drive Screw Bit

Tools Required:

- Work Gloves and Safety Glasses
- Screw Gun with 1/8" & 1/4" Drill Bits
- 9/16" Wrench
- Level
- 2 Tall Step Ladders
- Hammer

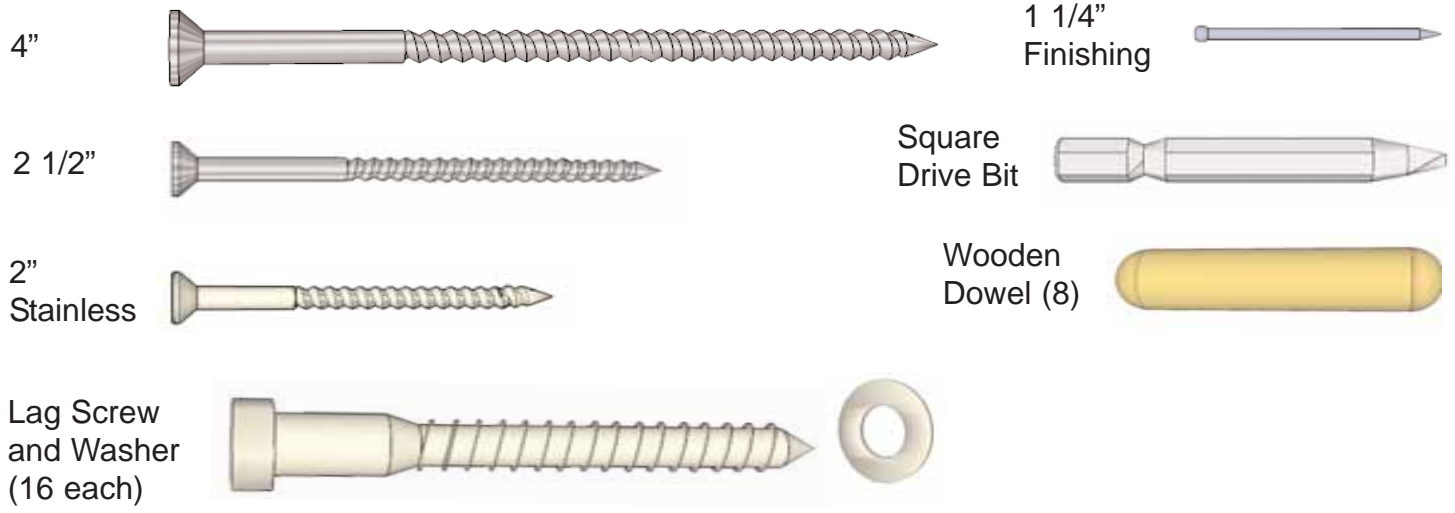
Specifications:

- Outside Post Dimension: 101" x 101" x 108"h
- Inside Post to Post Dimensions: 90" x 90"
- Outside Dim. with Overhang; 138"w x 119"d
- 560 Lbs

9x11 BREEZE PERGOLA HARDWARE PACKAGE

Hardware Kit (Provided)

Note: screws and nails shown actual size.



Tools Required (Not Provided)



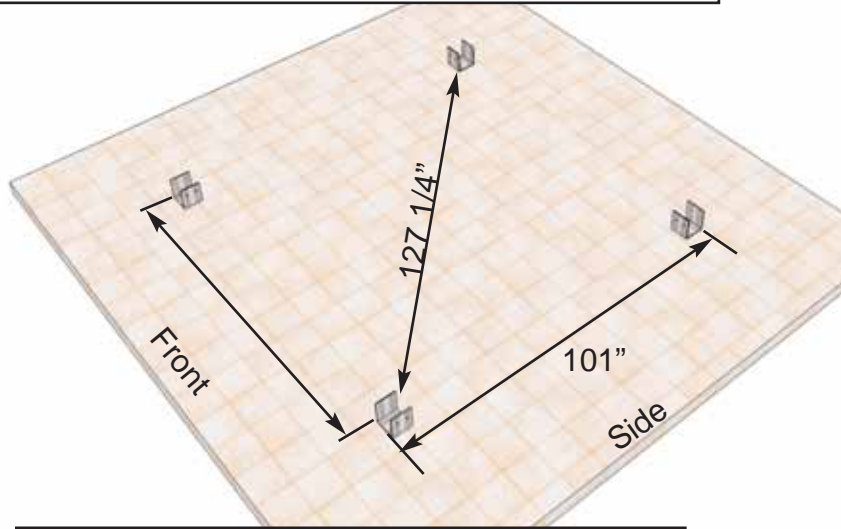
Safety Equipment Required (Not Provided)



Important - Western Red Cedar Lumber and Timbers will have surface splitting that occurs as lumber seasons and dries to the moisture content in your area. Splitting or “checking”, as it is referred to, can be 1/8” to 1/4” wide and can run several feet. This does not diminish the structural integrity of the material in any way.

Laying out your Footprint

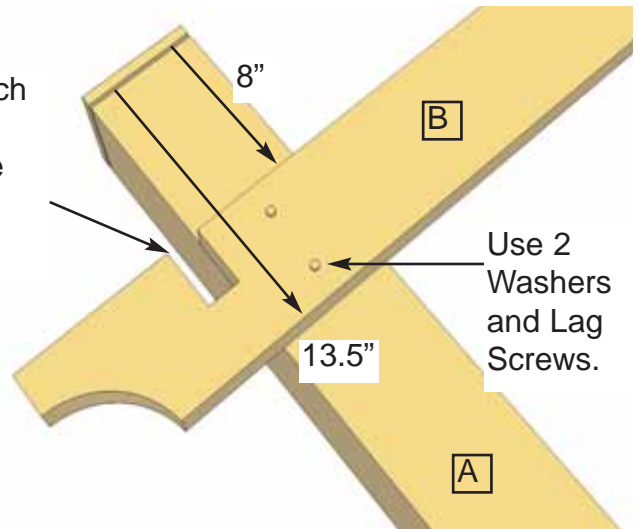
To determine the proper placement of your 5 3/8” x 5 3/8” Posts, see the exploded view on **Page 2** to find the measurements and to determine their correct positions. Outside Post to Post measurements are 101” x 101”. Inside Post to Post measurements are 90” x 90”.



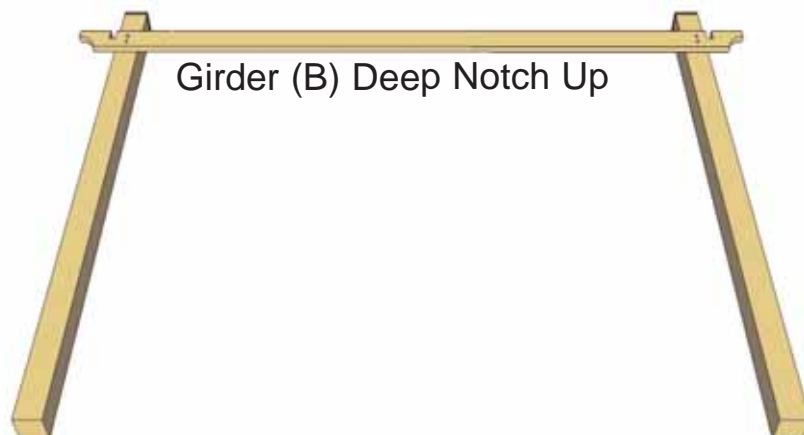
Take diagonal measurements to check your layout for square. We recommend that you fix Posts to ground using Steel Post Bases or Saddle Brackets fixed on cement footing. If attaching Posts to pre-existing deck, we recommend that you purchase Post / Deck Mounting Brackets. In both cases, Post Mounting hardware can be found at most Hardware Stores.

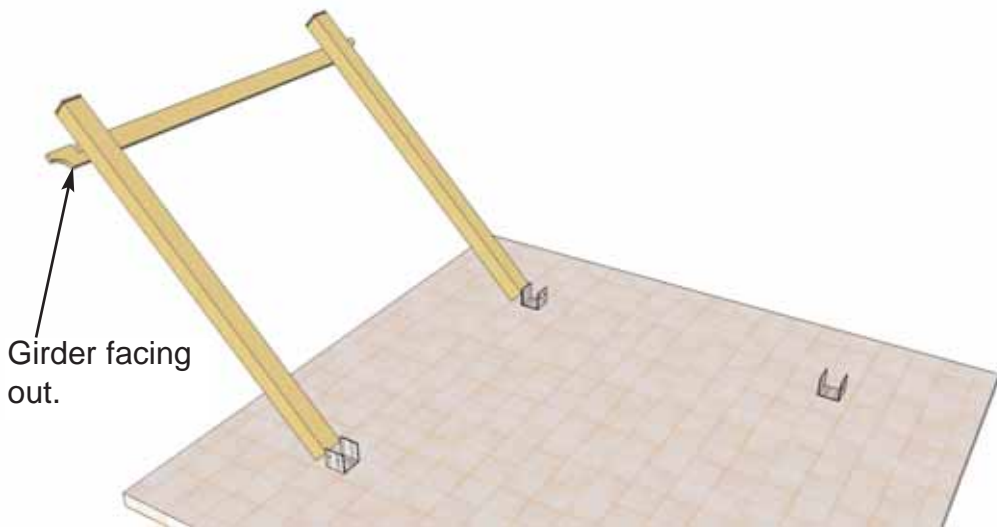
Important- If Spa is larger than 89”, position Spa on foundation now or use 3 Post Bases to make it easier to position Spa after Spa Breeze is built.

Deep Notch facing up and inside flush with post.



1. On flat level ground, Lag screw the **Girder with Deep Notch on Top (B)** to two **Posts (A)** approximately 8” from top of Post. Complete 2 sets of Girder/Post Assembly's. **Note; Pilot hole Post first with 1/4” drill bit.**

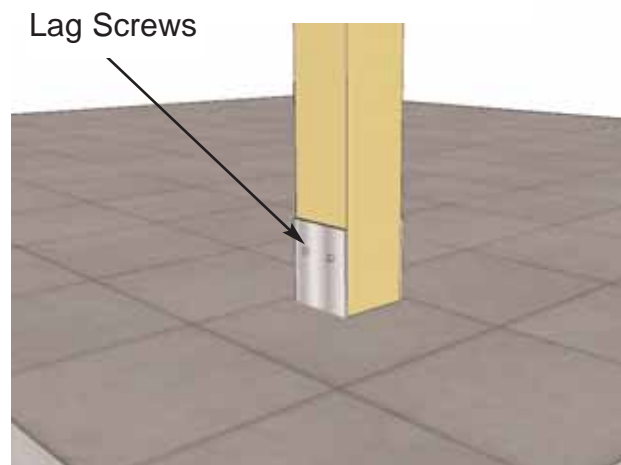
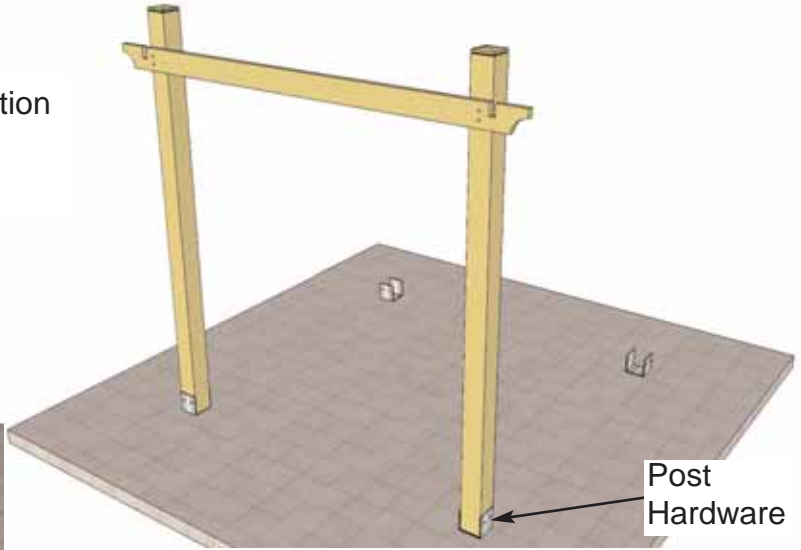




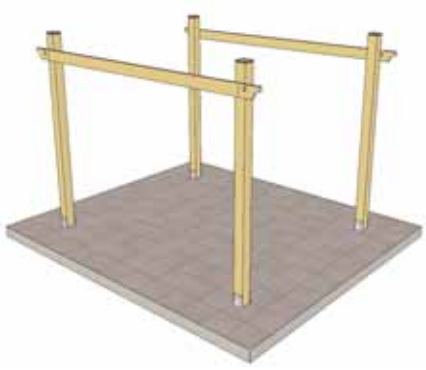
Important- You will require the assistance of 2 helpers to support the posts up to **Step 7.**

2. Lift up a completed Post/Girder Assembly slowly and carefully. Make sure Girder is facing outward.

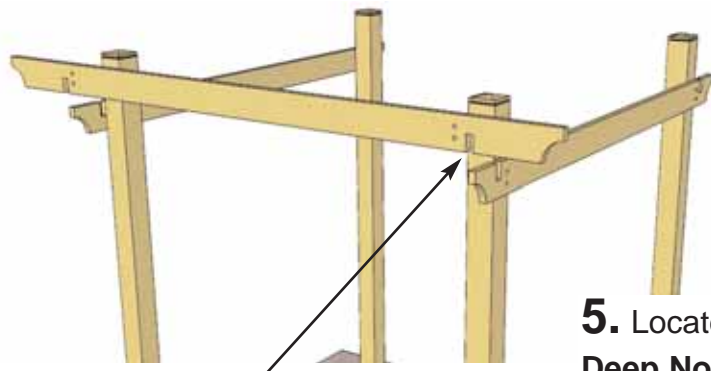
3. If Post Mount Hardware is installed, position bottom of Posts in Hardware.



4. Secure Post to Post Hardware with appropriate hardware such as lag screws or a sufficient number of screws. **(Hardware Not Supplied)**

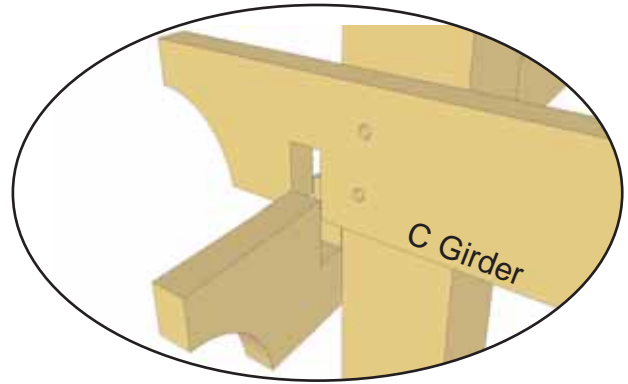
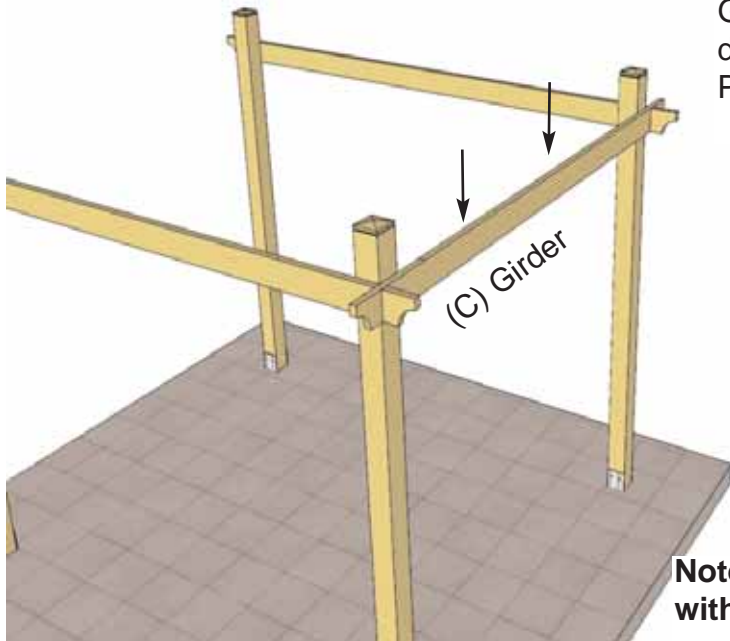


Lift, position and attach the second Post/Girder Assembly to Post Hardware.

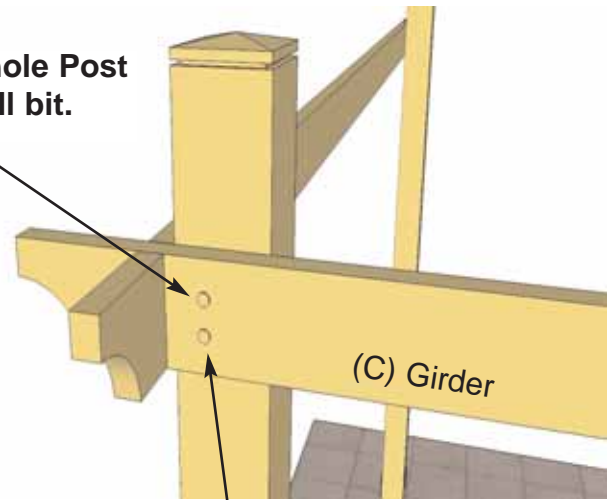


5. Locate **Girder with Deep Notch on Bottom (C)** and lift up between both completed Post/Girder Assembly's..

6. Carefully lower (C) Girder down into notch of (B) Girders. Be careful not to twist the Girder when dropping down into place. Lag Screw Girder to Post. Pilot hole first.

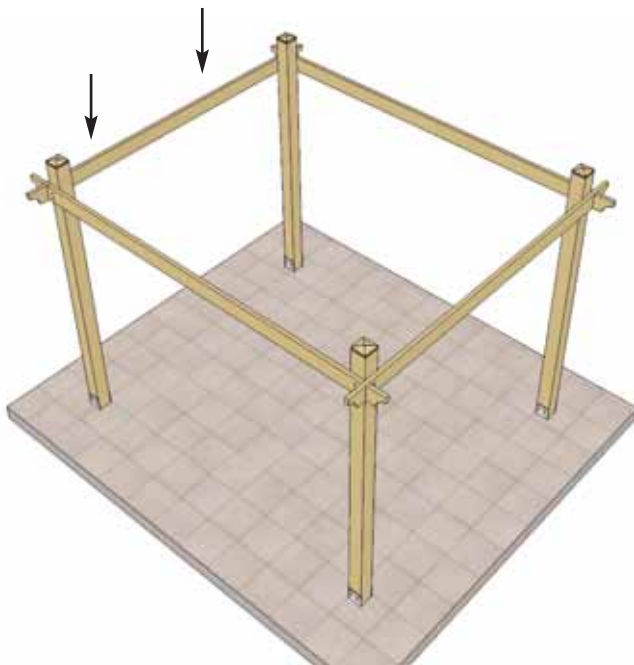


Note; Pilot hole Post with 1/4" drill bit.

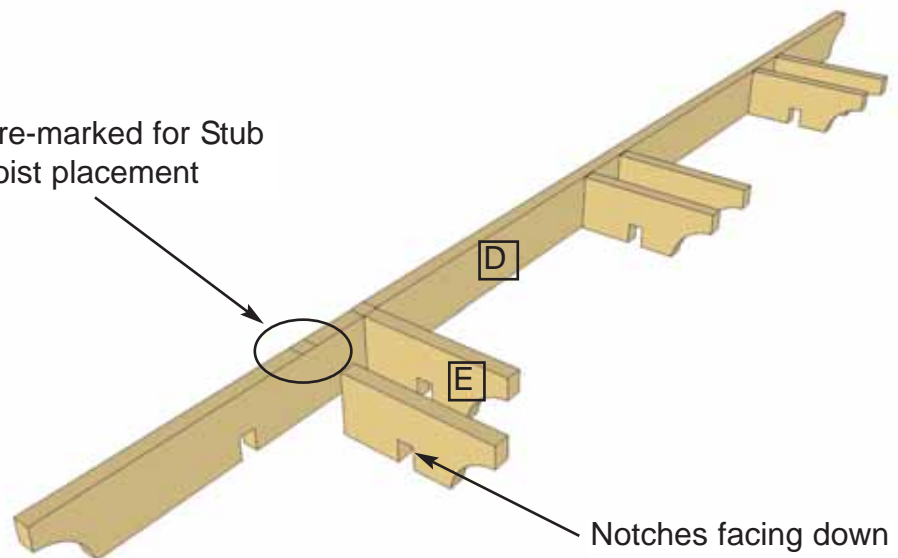


2 Lag Screws to Post

7. Lift, position and Lag Bolt the second (C) Girder to Posts.



Pre-marked for Stub Joist placement

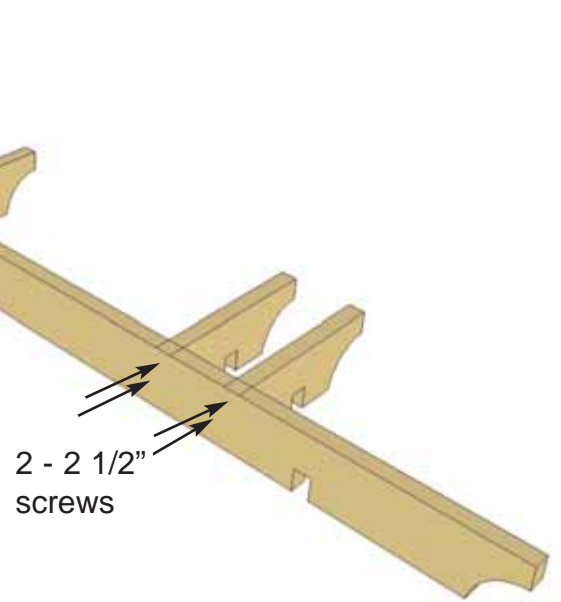


Notches facing down

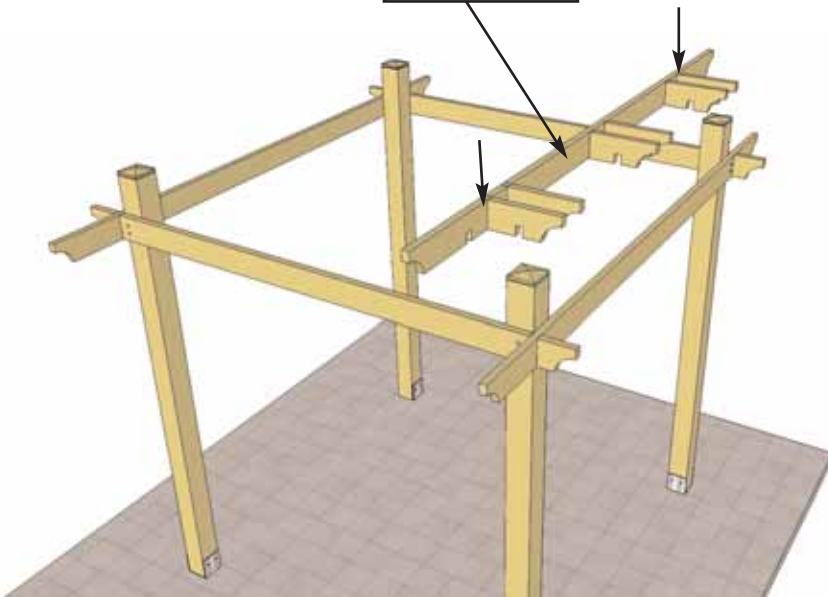
8. On level ground, position 1 Joist (D) and 6 Stub Joists (E).

Joists are pre-marked on top edge for Stub Joist and Blocking positioning.

9. With Stub Joists positioned correctly on Joist, attach each Stub Joist with 2 - 2 1/2" screws. Stub Joists should be flush with top and bottom of Joist with all notches facing down. There are two Joist / Stub Joist Assembly's, complete both now.

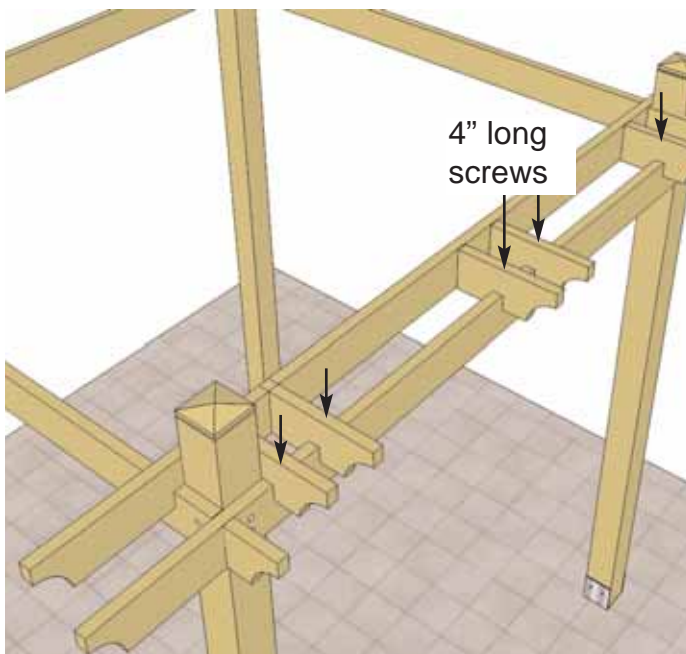
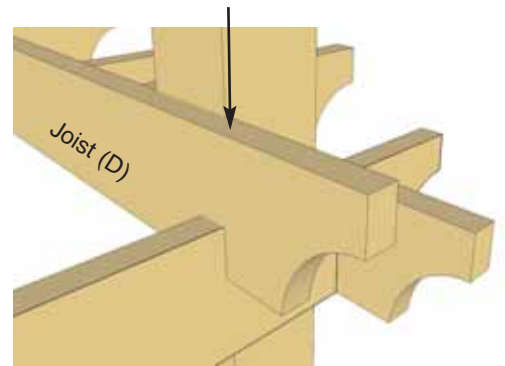


Completed Joist / Stub Joist connections.

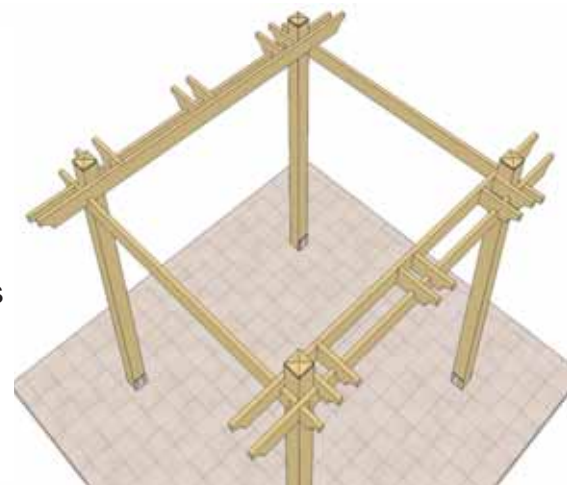


10. Carefully lift up completed Joist / Stub Joist Assembly and place Joist between Girders flush against posts and notch sitting down into Girder.

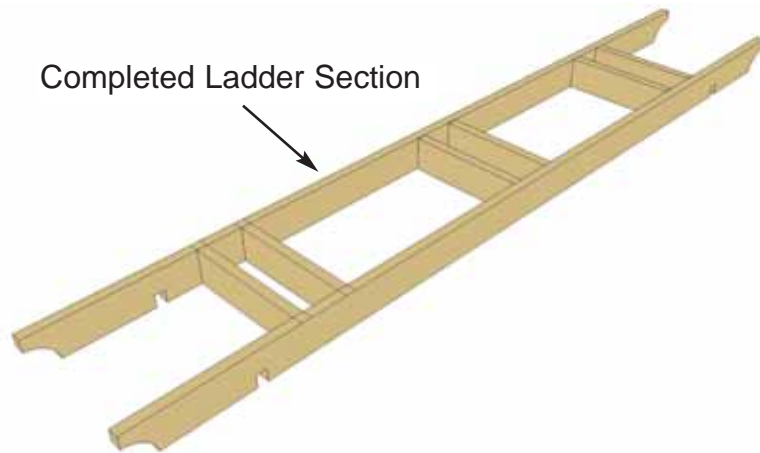
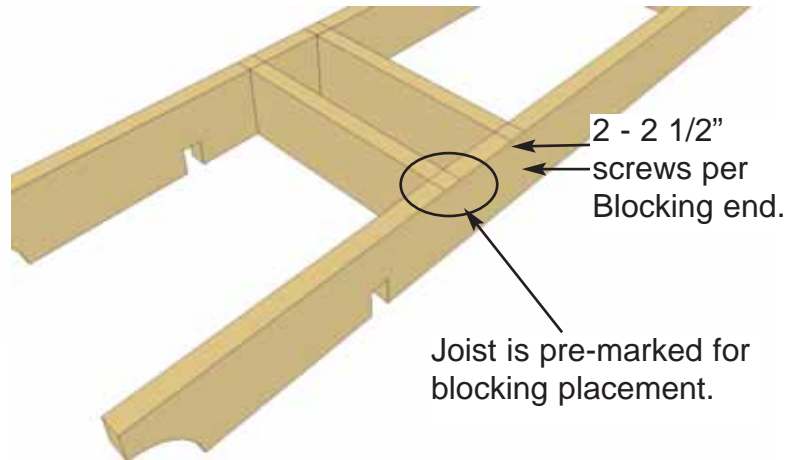
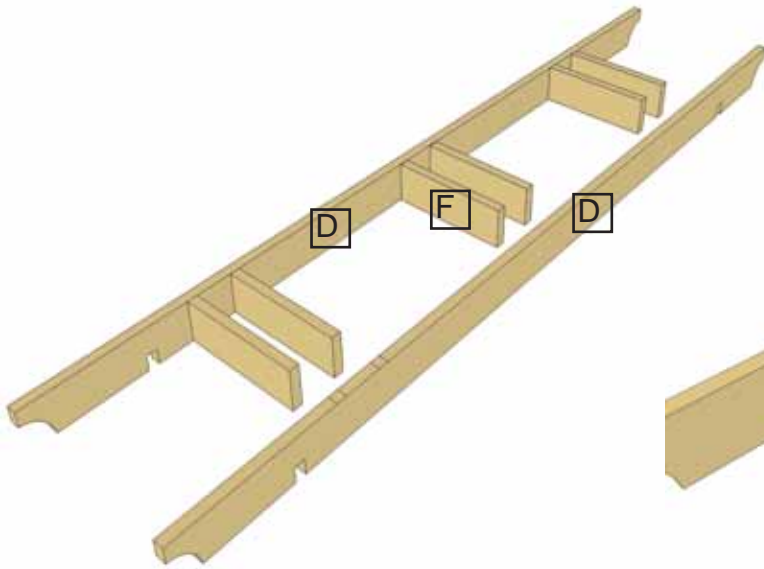
1 - 4" screw



11. Attach all Stub Joists and Joist to Girder with 1 - 4" screw per piece. Complete both Assembly's
Note: Drill pilot holes in Joists and Stub Joists to make it easier to screw in 4" screws.

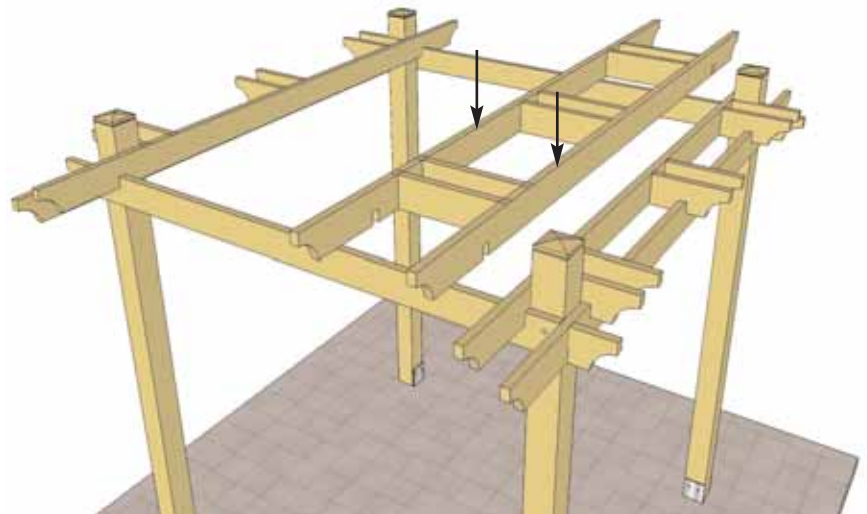


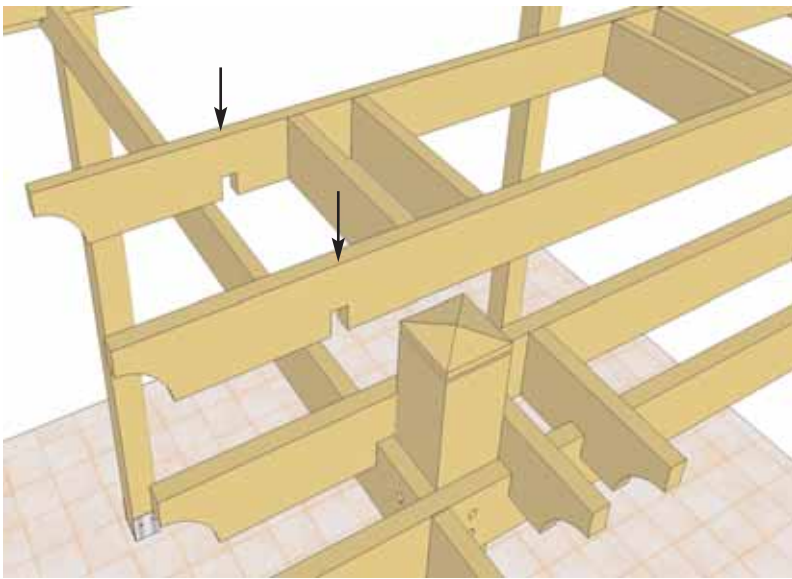
12. On a flat surface, position **Ladder Blocking (F)** where marked on top edge of Joist (D) and screw with 2 - 2 1/2" screws per end. Ladder Blocking should be flush with top and bottom of Joist with all notches facing down.



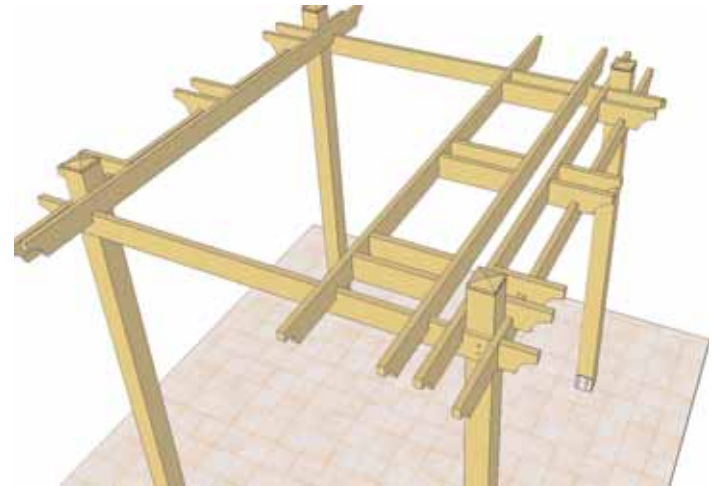
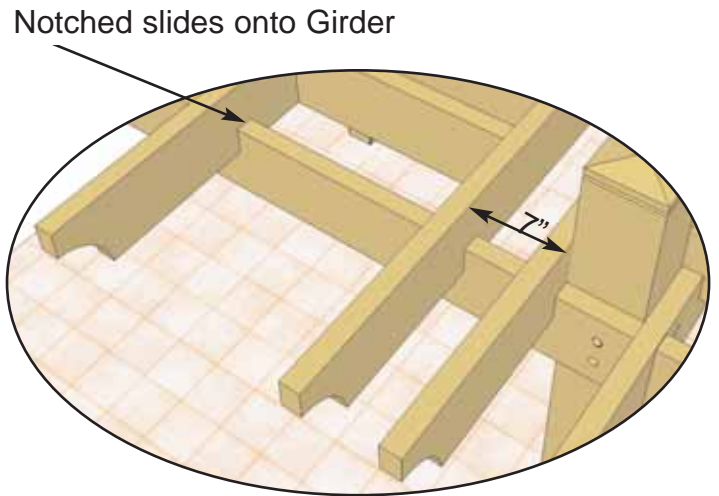
13. Complete all three Ladder Sections on the ground prior to moving to **Step 14.**

14. Carefully lift up one of the Ladder Sections between Girders. **You will require a helper to assist in lifting Ladder Sections.**

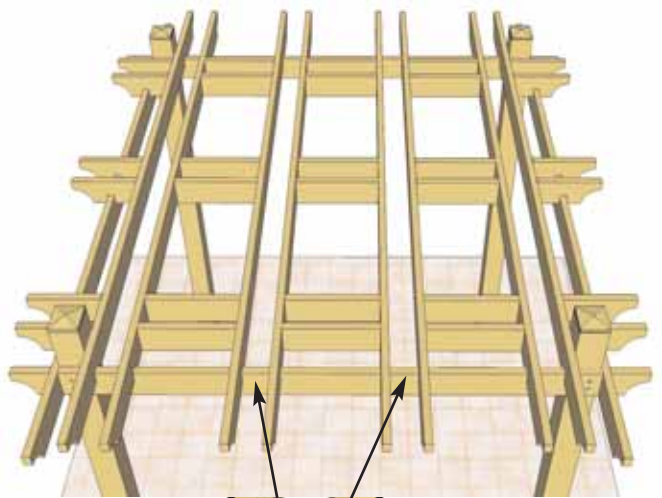
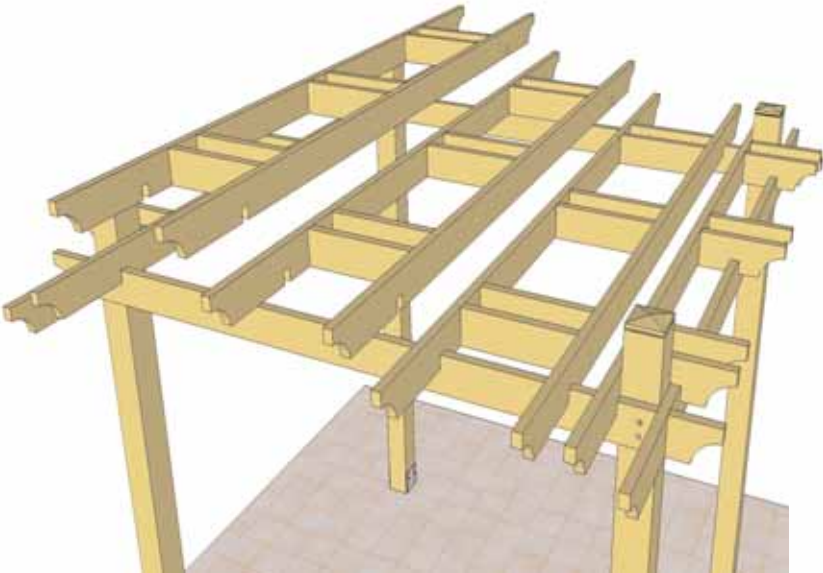




15. Carefully slide Joist notches of Ladder Section onto Girder. Try to align notches so they fall into place all at once. With notches of Ladder Section all sitting correctly on Girder, slide Section approximately 7" from Post. Check alignment of opposite end of Ladder Section.

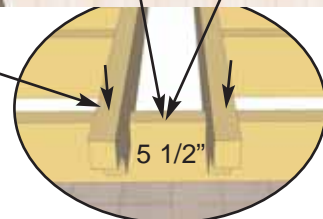


16. Set all remaining Ladder Sections in place on Girder spacing each **approximately 5 1/2"** apart.

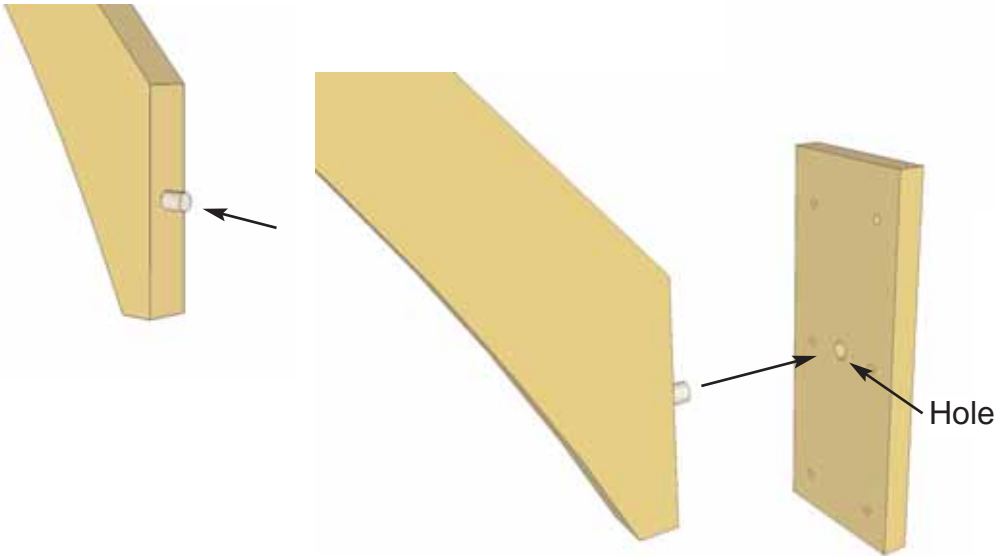
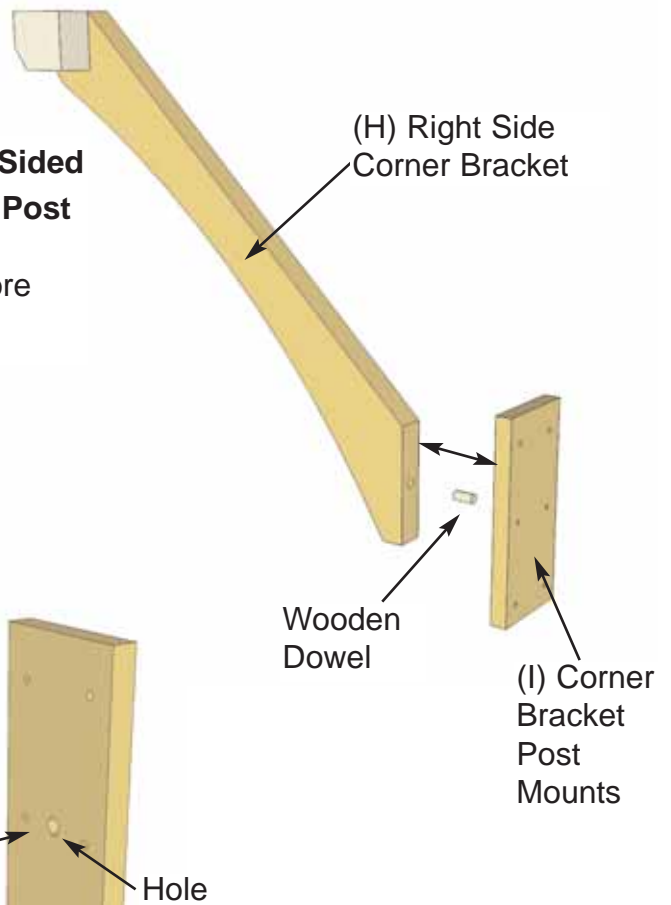


17. With all Ladder Sections in place, check once more for equal spacing. When satisfied with Ladder Section positioning, attach to Girders with 4 - 4" screws per Ladder. Screw from top edge of Joist down into Girder. Pilot hole screws first to help with screwing.

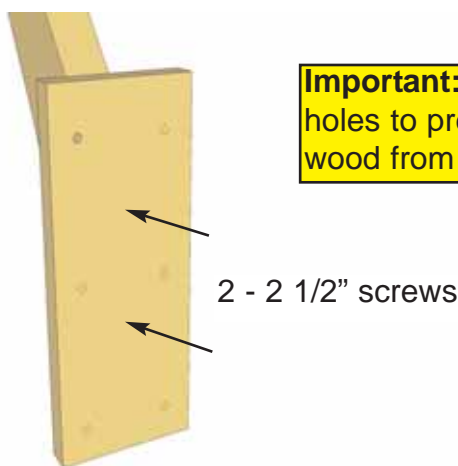
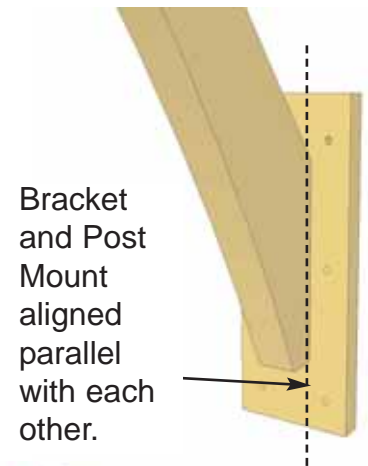
Pilot Hole Joist first and secure with 4" screws/ Ladder Section



18. There are 4 Left (G) and 4 Right Sided Corner Brackets (H). Corner Bracket Post Mounts (I) must be attached to the bottom end of each Corner Bracket before attaching to Posts.



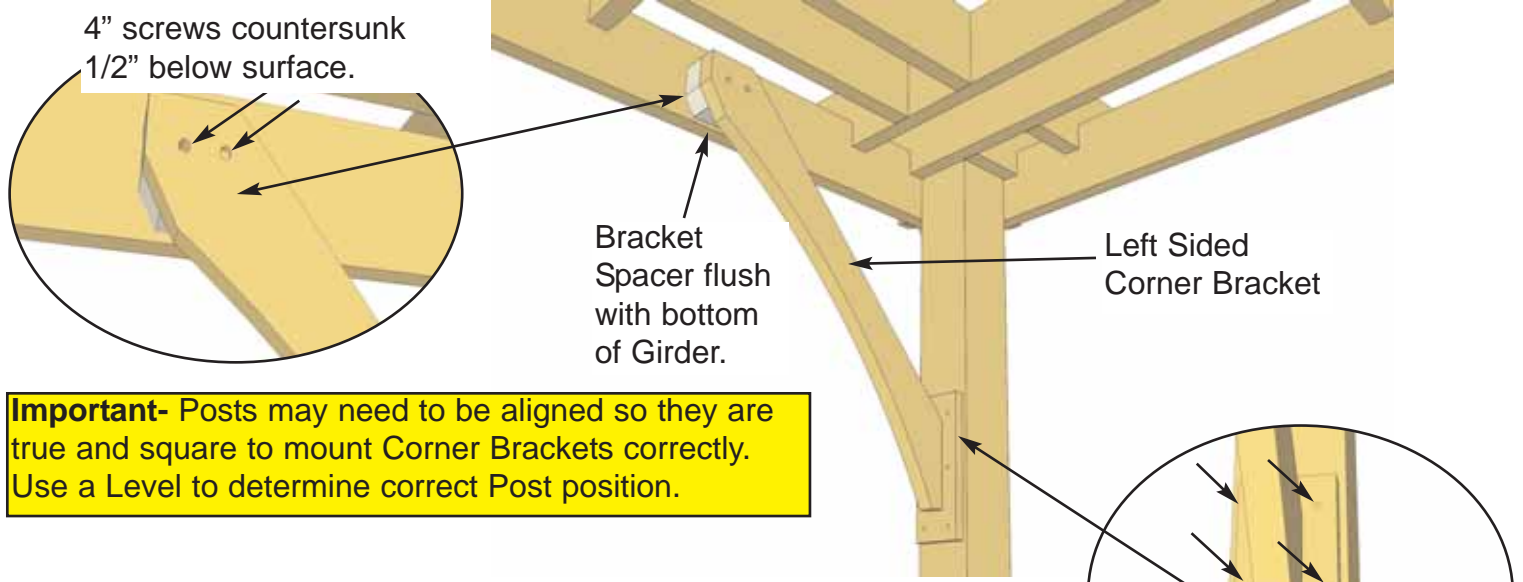
19. To assist you with Bracket and Post Mount alignment, both the end of the Bracket and Post Mount have been drilled for a **Wooden Dowel**. Wooden Dowels are found in the Hardware Kit Bag. Insert a Wooden Dowel in end of Corner Bracket first and then push Post Mount onto Dowel until Bracket and Post Mount are flush together. Align Post Mount parallel with Bracket.



Important:- Drill pilot holes to prevent wood from splitting.

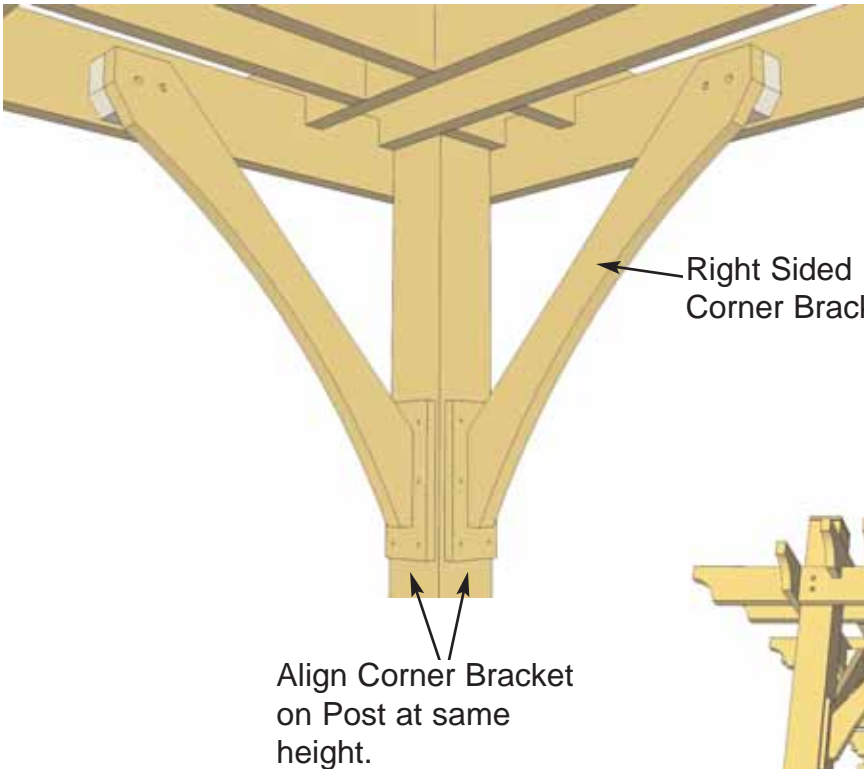


20. With Bracket and Post Mount correctly aligned, screw Post Mount to Bracket with 2 - 2 1/2" screws. **Important- Drill pilot holes in Post Mounts and Bracket to prevent wood from splitting!** Complete all remaining Brackets/Post Mount connections.



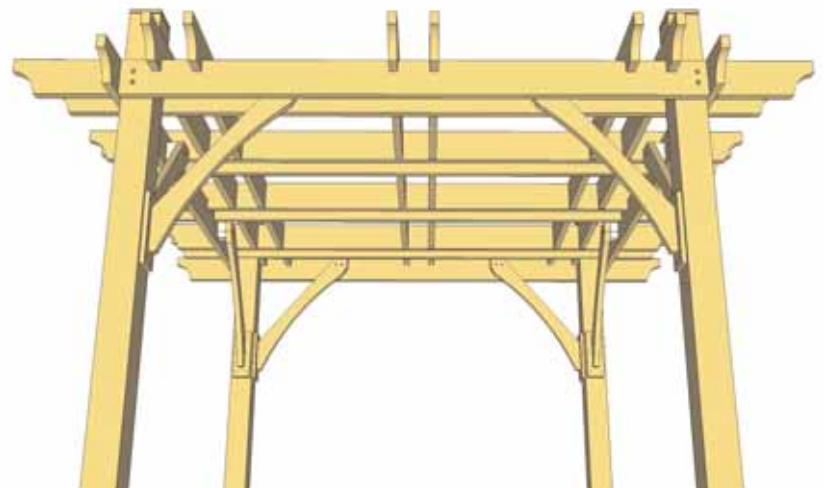
Important- Posts may need to be aligned so they are true and square to mount Corner Brackets correctly. Use a Level to determine correct Post position.

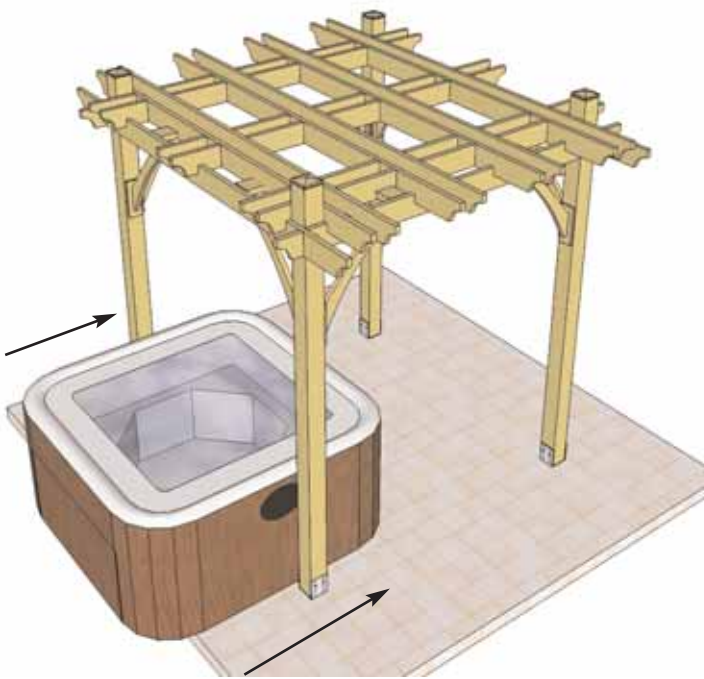
21. Lift completed Left Sided Corner Bracket up and align bottom of Bracket Spacer flush with bottom of Girder. At bottom of Corner Bracket, align Post Mount evenly and tight against Post. When correctly aligned, secure at top with 2 - 4" Screws. To secure Post Mount, use 6 - 2" Stainless Steel Screws. Note, Post Mount and Top of Bracket are pre-drilled.



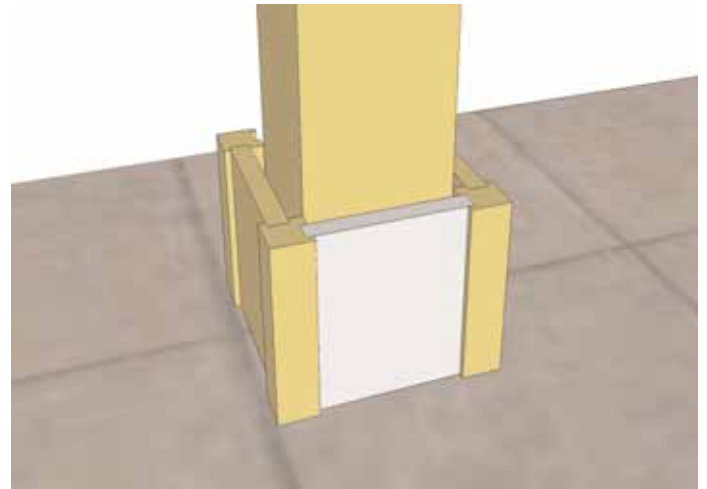
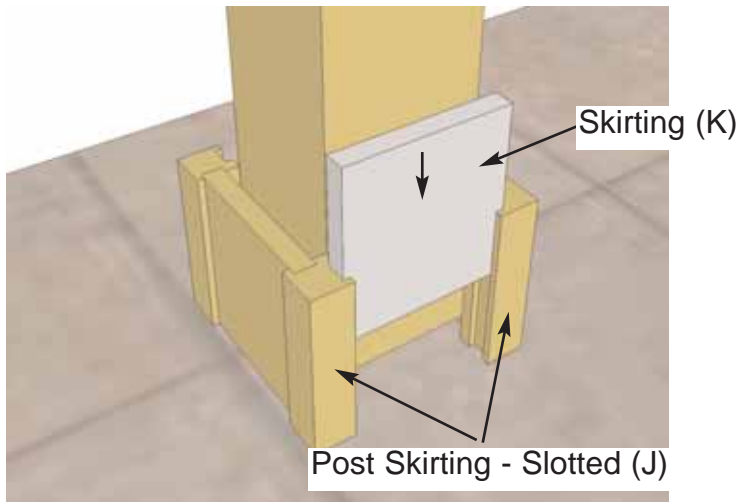
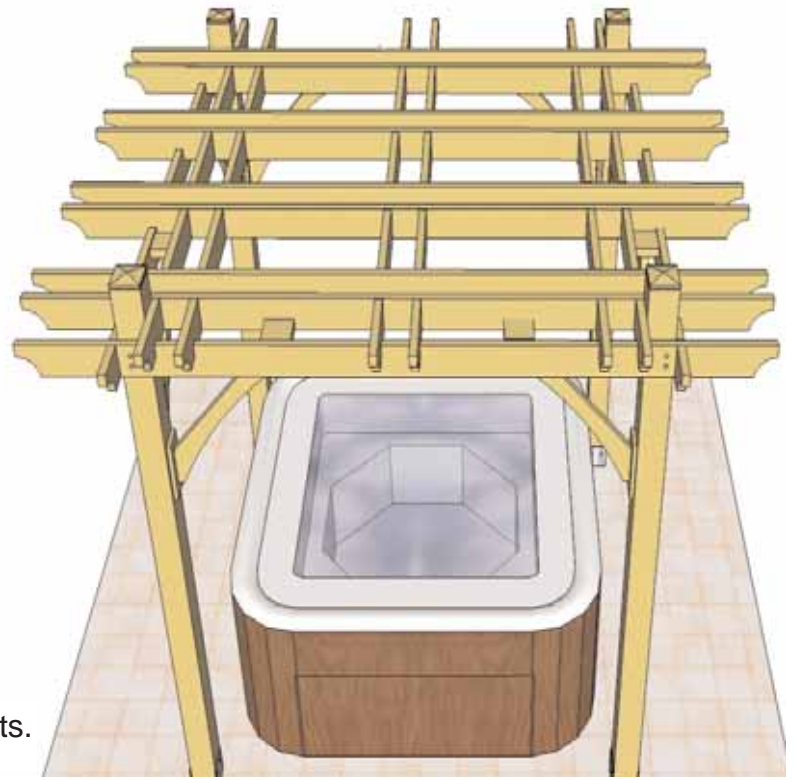
22. Align and attach a Right Sided Corner Bracket on Post as per **Step 21**. Make sure both Brackets are aligned on Post at the same height before attaching.

23. Complete remaining Left and Right Sided Corner Bracket attachments.

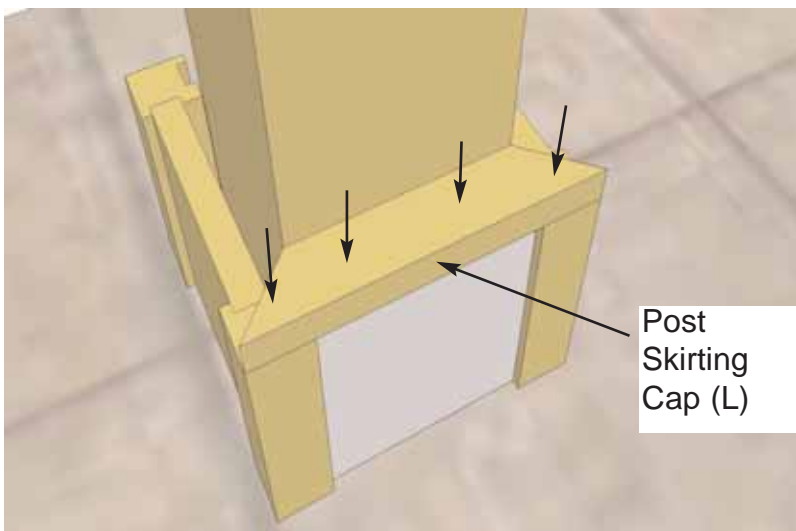




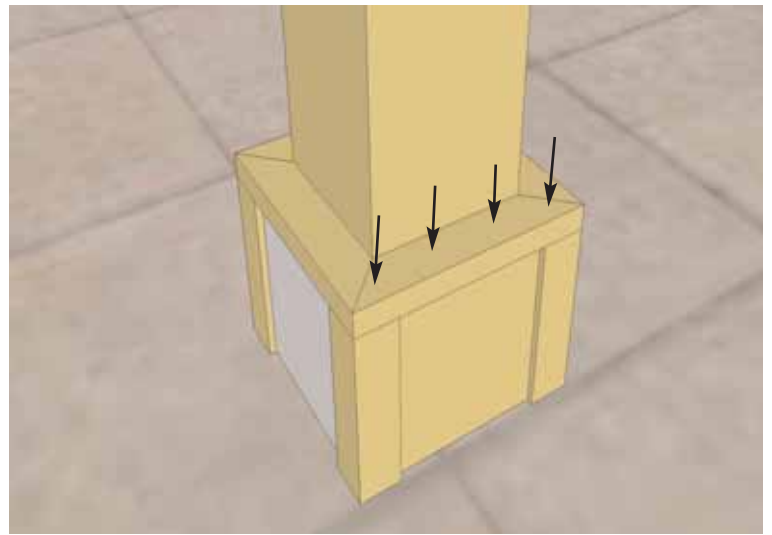
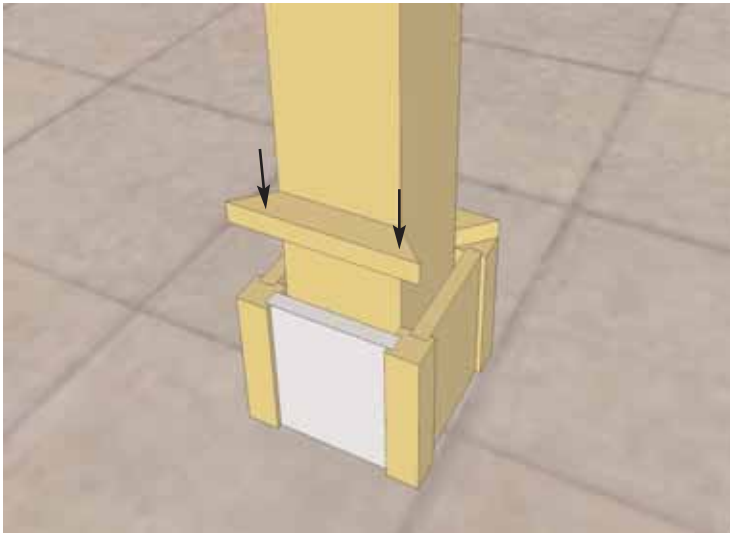
24. With several helpers, position Spa between Posts.



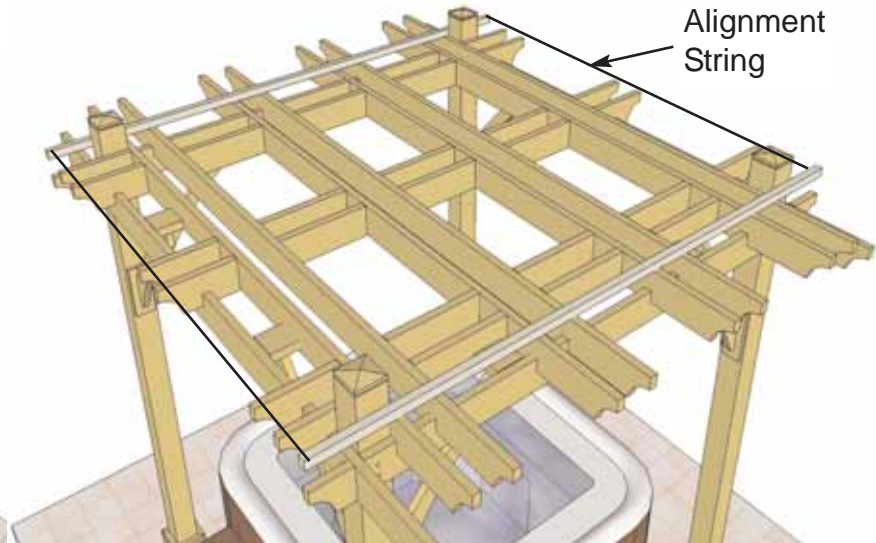
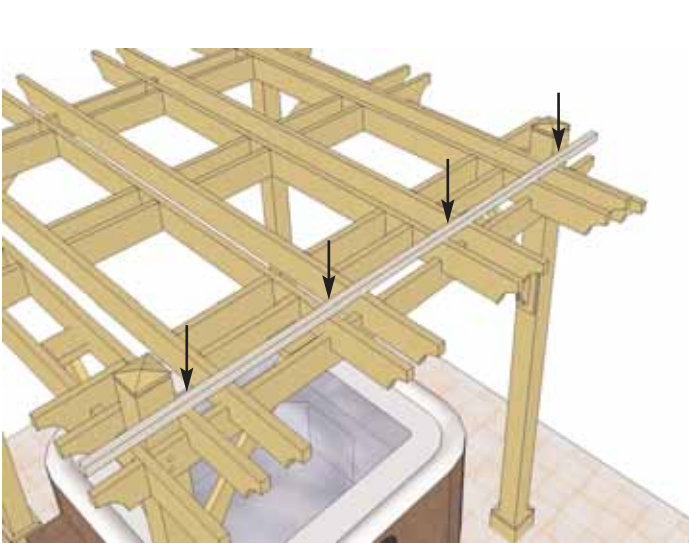
25. To complete your Breeze, attach Post Skirting around each post. Position 2 **Slotted Post Skirting Pieces (J)** on opposite sides of Post. Slide a **Post Skirting (K)** between grooved slots until flush at top.



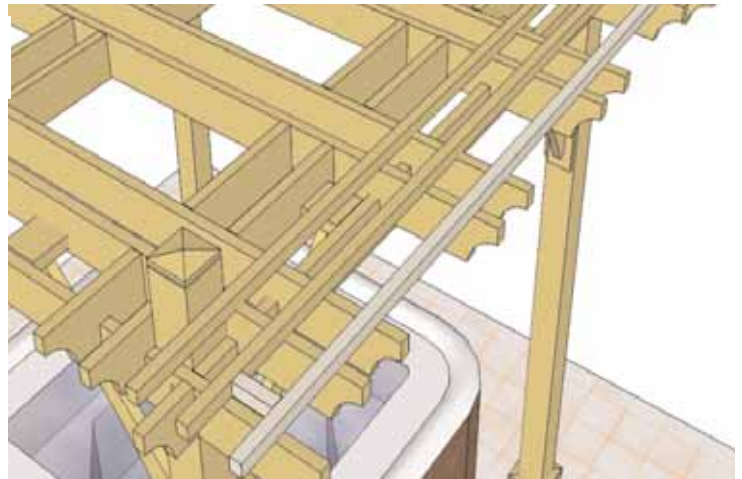
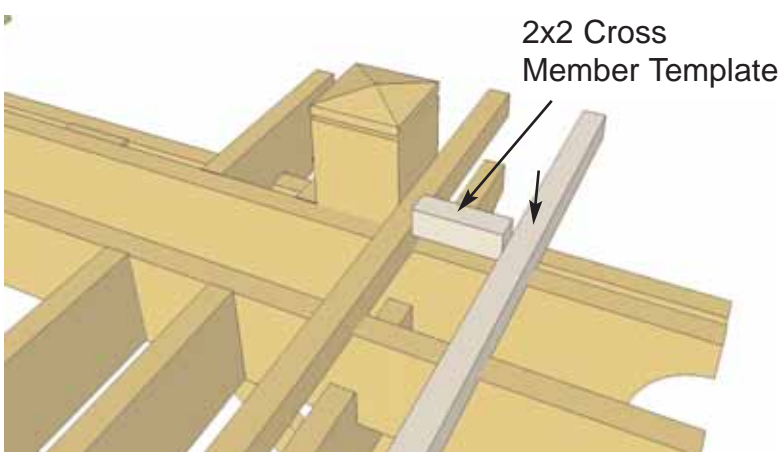
26. Align **Post Skirting Cap (L)** tight against Post and equally from side to side of skirting framing. Nail Cap down into Skirting with 4 - 1 1/4" finishing nails.



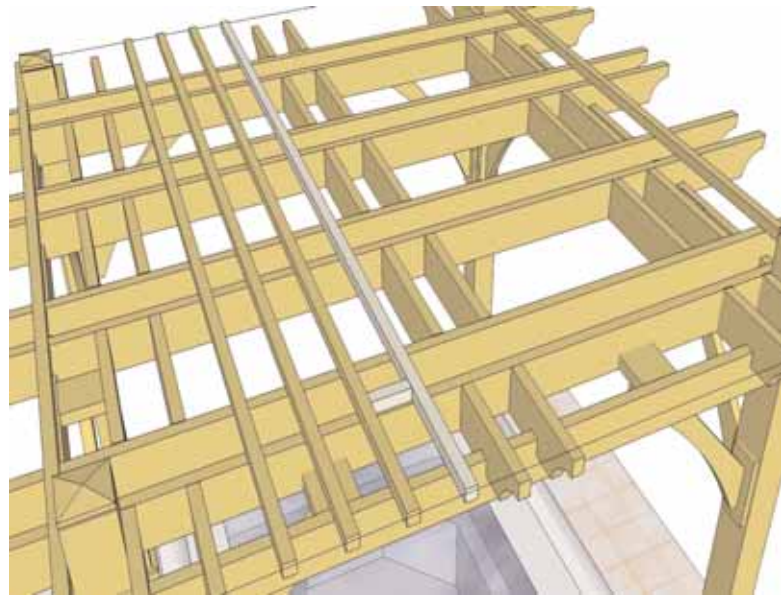
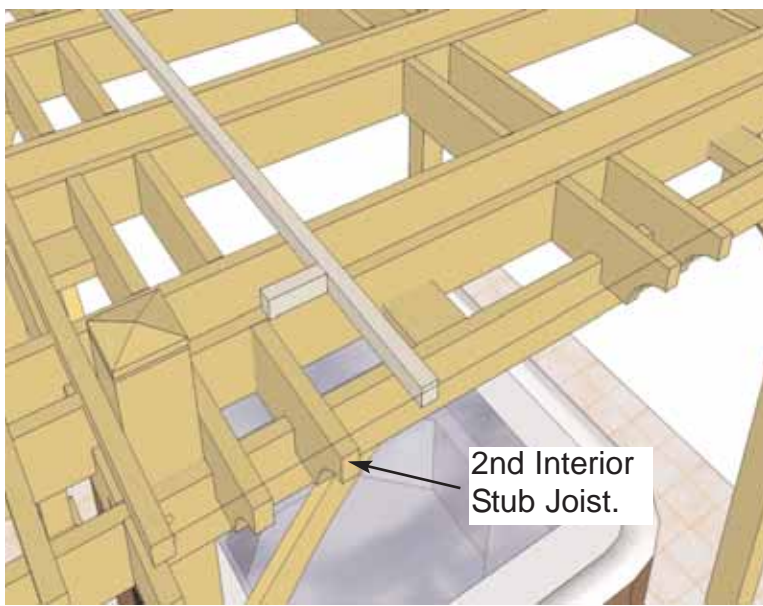
27. Slide in 2nd Post Skirting piece and position and nail Post Skirting Cap as per **Step 26**. Place remaining Post Skirting Caps on Skirting and nail as per **Step 26**. Complete remaining Post Skirtings.



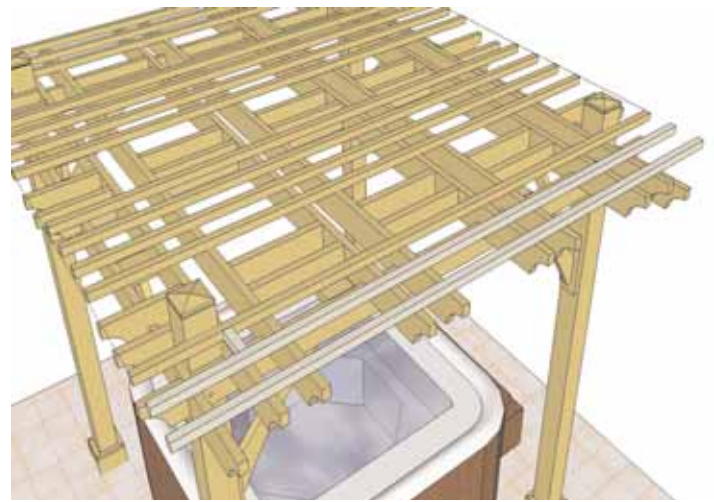
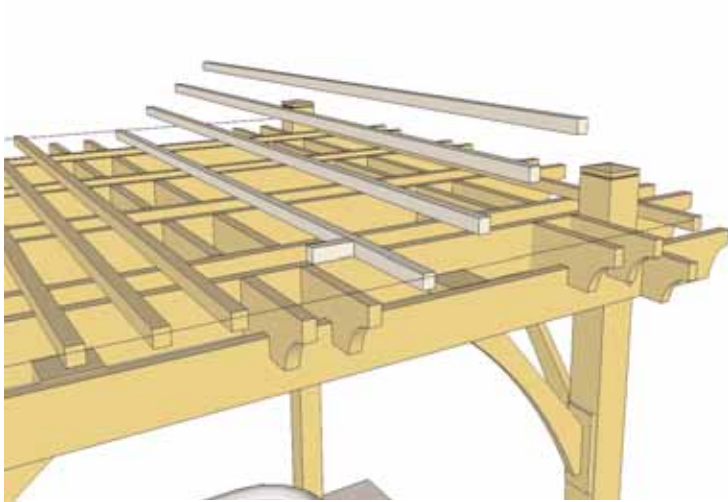
28. Lift and position 2 - **2x2 Cross Members (M)** up against outside Posts on both sides. Align with outside of B-Girders. Pre-drill Members first and attach with 4 - 2 1/2" screws per piece. At each end, attach a String (approx. 9' long) using nails to help align interior Members as shown above.



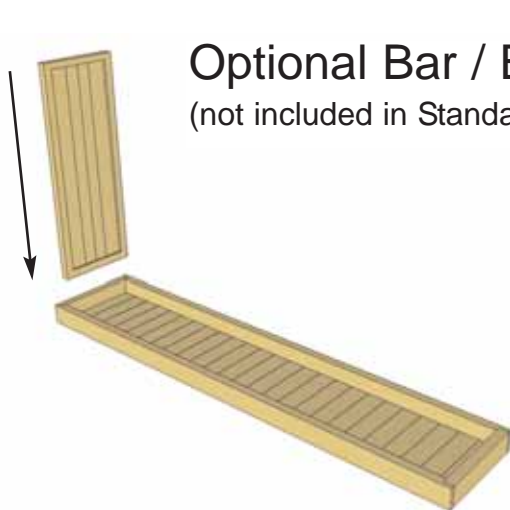
29. Using **2x2 Cross Member Templates (O)**, align and attach both outside 2x2's as shown above.



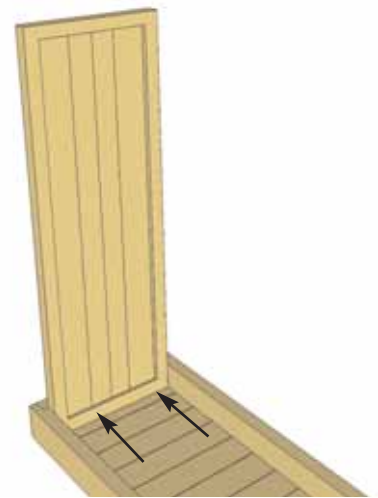
30. Using the 2x2 Cross Member Templates, align and attach interior 2x2's starting at the 2nd interior Stub Joist. Use 4 Members spaced 5 1/4" apart. Attach as per **Step 29**.



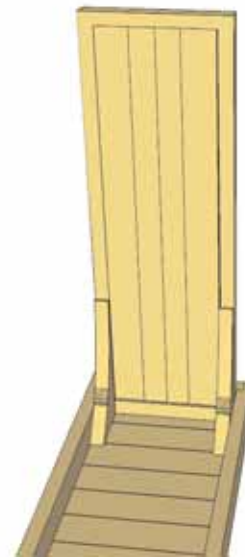
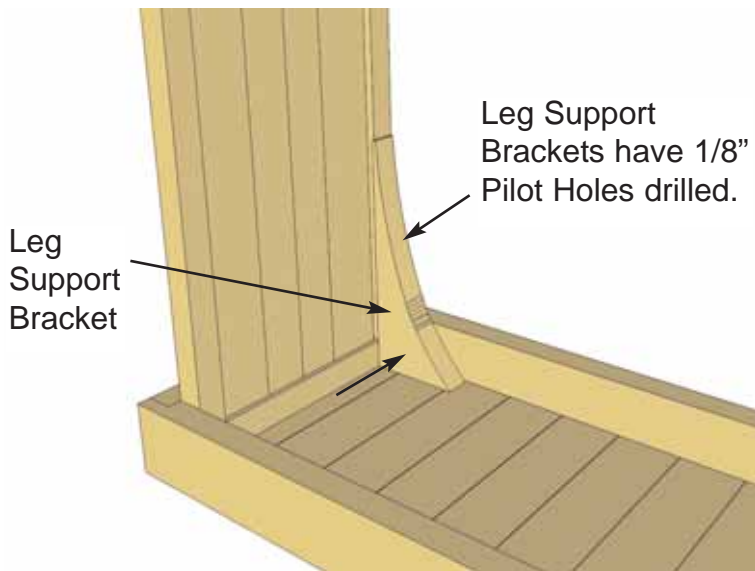
31. Continue attaching 2x2's using Template for spacing and positioning ends with alignment strings. Attach as per **Step 29**.



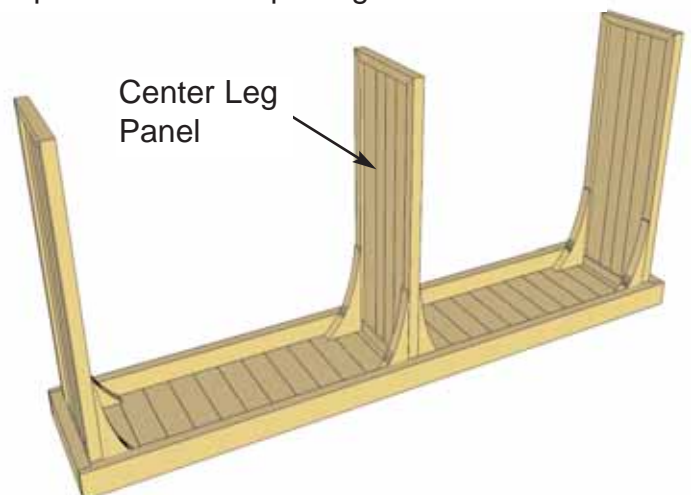
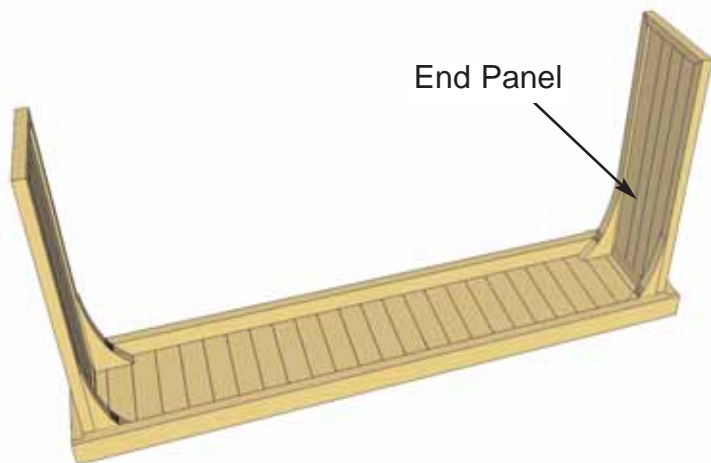
Optional Bar / Bench Seat Assembly
(not included in Standard Kits)



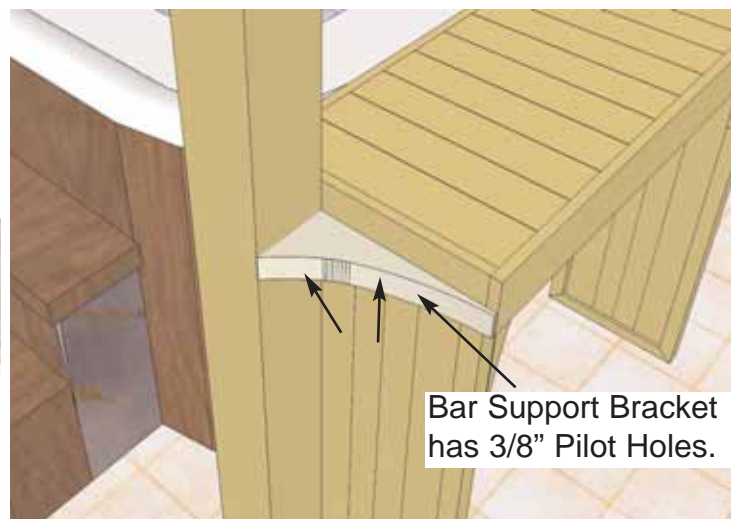
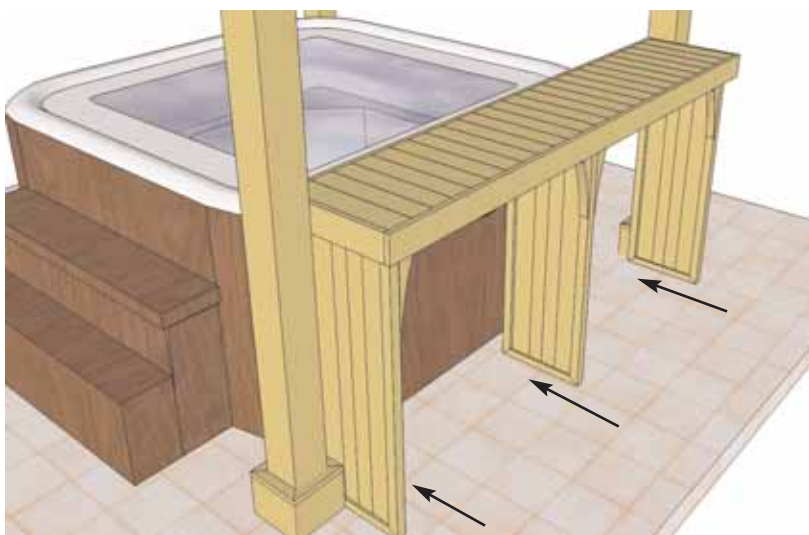
32. Locate **Bar Top (P)** and flip over on flat, level ground. Make sure ground is clean, if not use plastic or cardboard protection. Slide 1 **Leg Panel (Q)** between bar framing and attach to underside with 2 - 2 1/2" screws.



33. Place **Leg Support Bracket (R)** in corner and attach to Bar and Leg framing with 2 - 2 1/2" screws through pre-drilled holes in brackets. Complete 2 brackets per leg.



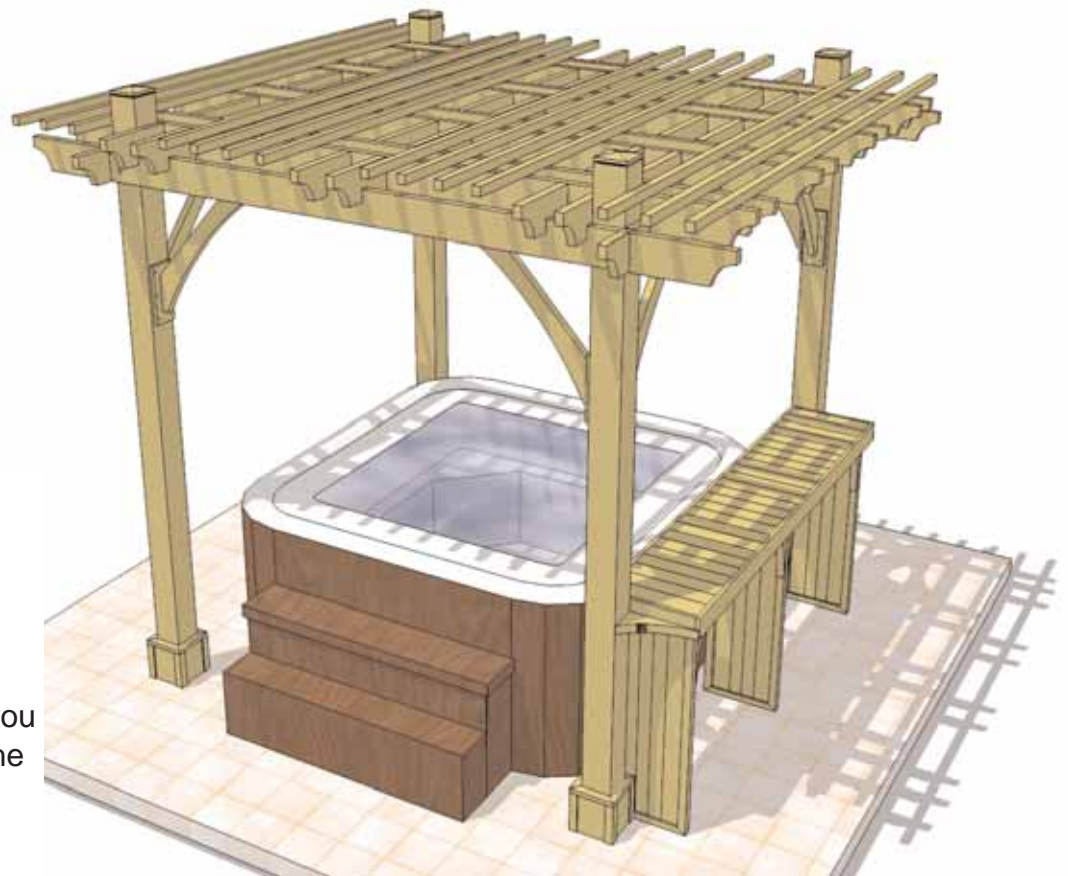
34. Complete remaining Leg Panels (center and end) following alignment and attachment procedures in **Step 33**.



35. Set completed Bar /Seat Bench between Posts so flush on inside of Post. Place **Bar/Post Support Bracket (S)** against Bar framing and Post. Drill 1/4" pilot hole into bar frame and post, and lag bolt (3"x3/8" with washers) thru bracket into frame and into post. Complete both sides.

Congratulations on building your 9x11 Spa Breeze Pergola

Note; Our Pergolas are shipped as an unfinished product. If exposed to the elements, the western red cedar lumber will weather to a silvery-gray color. If you prefer to keep the cedar lumber looking closer to the original color, we suggest that you treat the wood with a good oil base wood stain. You may also wish to paint your new Pergola rather than stain it. In both cases we recommend that you consult with a paint and stain dealer in your area.



We hope your experience constructing our building has been both positive and rewarding.

We value your feedback and would like to hear back from you on how well we are doing in the following areas:

1. Customer Service
2. On Time Shipping
3. Motor Freight Delivery
4. Quality of Materials
5. Assembly Manual
6. Overall Satisfaction.

Please call, write or email us at:

Outdoor Living Today Partnership
P.O. Box 96
Sumas, Washington
98295



The materials contained in this Assembly Manual may be downloaded or copied provided that ALL copies retain the copyright and any other proprietary notices contained on the materials. No material may be modified, edited or taken out of context such that its use creates a false or misleading statement or impression as to the positions, statements or actions.