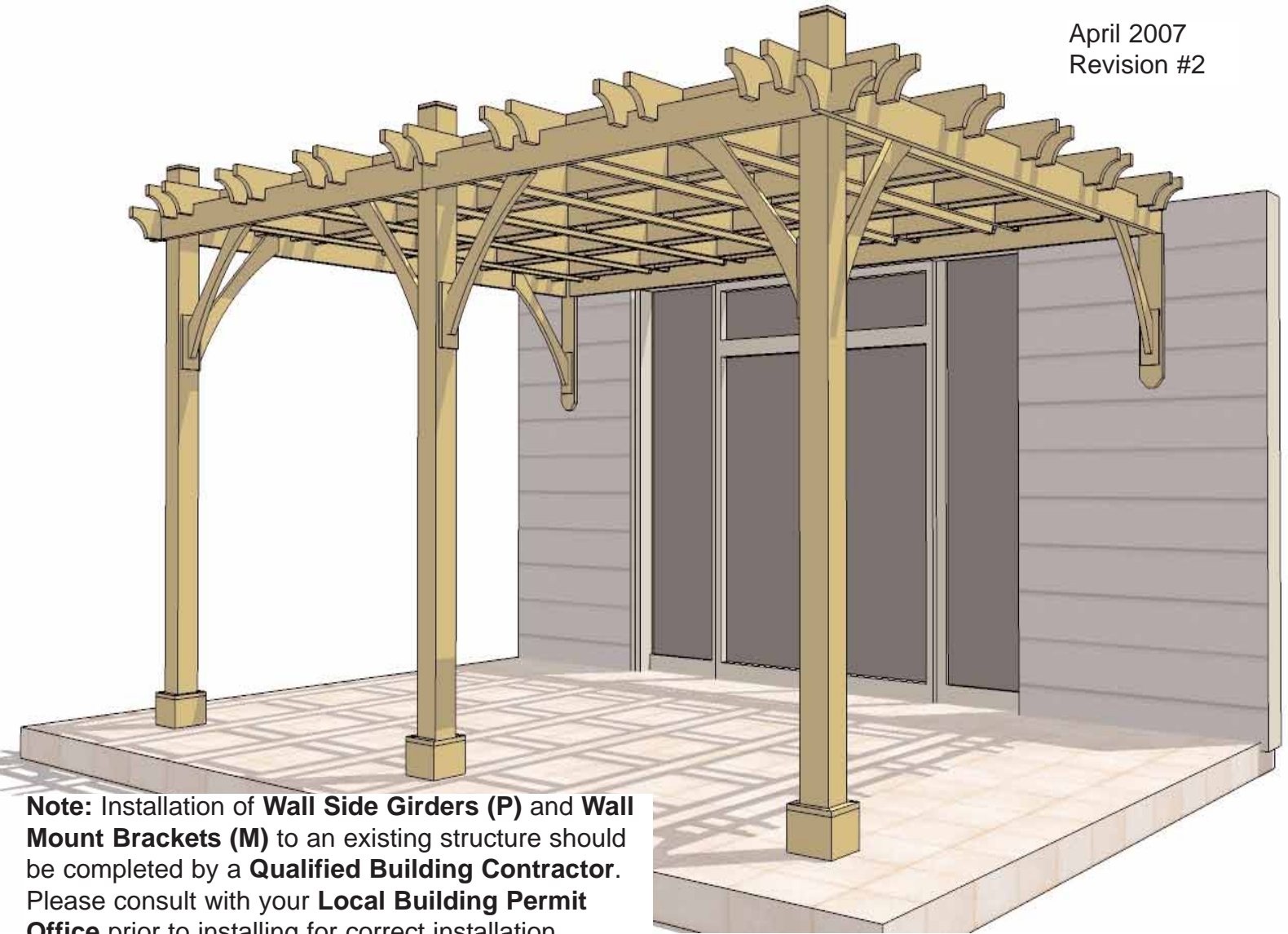


# 12ft X 16ft Attached Breeze Pergola Assembly Manual (For Both 9' and 12' High Posts)

## Outdoor Living Today

April 2007  
Revision #2



**Note:** Installation of **Wall Side Girders (P)** and **Wall Mount Brackets (M)** to an existing structure should be completed by a **Qualified Building Contractor**. Please consult with your **Local Building Permit Office** prior to installing for correct installation guidelines and procedures. Post Mounting Hardware is **NOT** included in this kit. Confirm with your Local Building Permit Office to determine the correct Post Mount Hardware in your area.

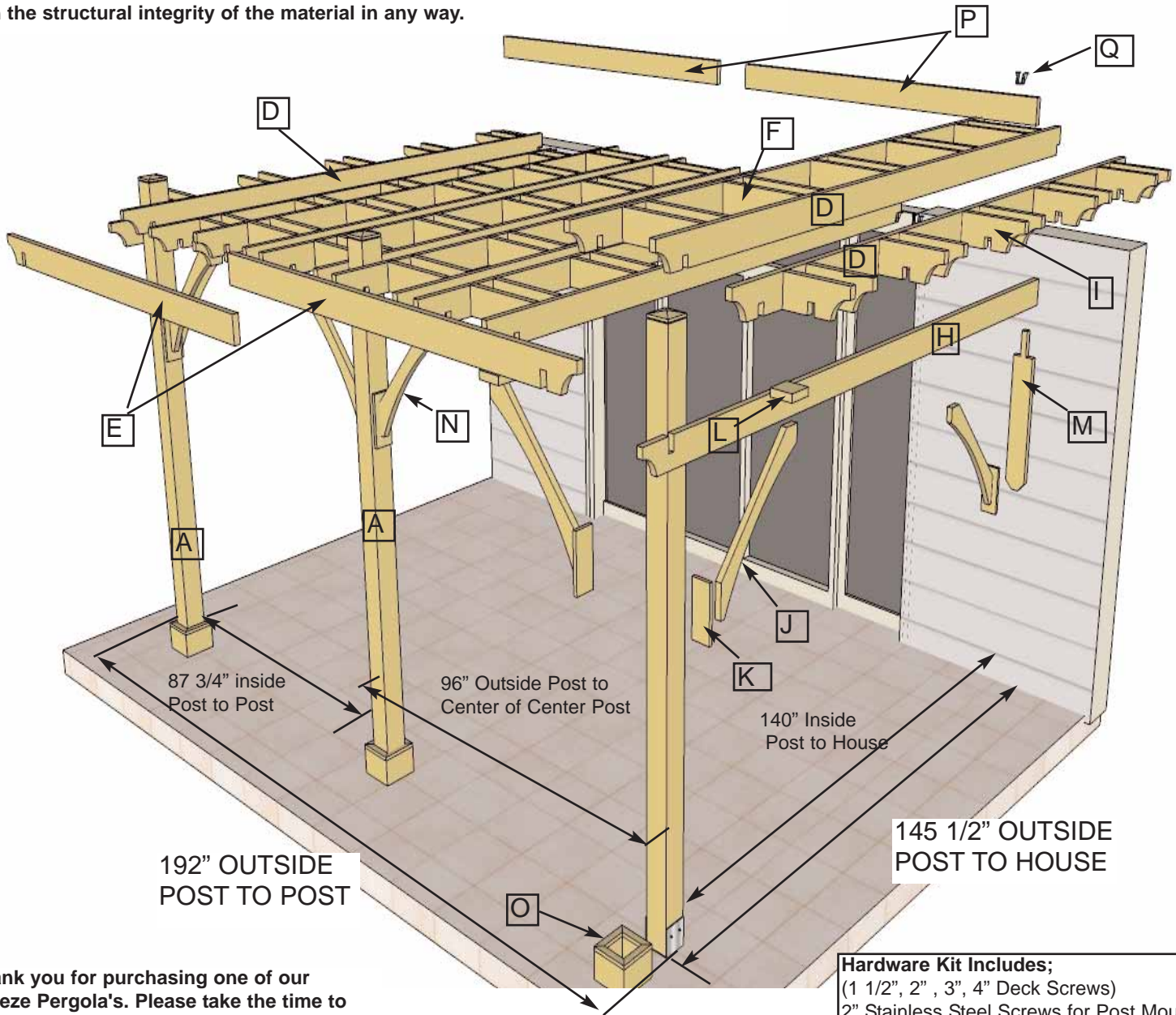
**Important - If you receive a broken or missing part. Please contact our Customer Service Center immediately @ 1-888-658-1658 for assistance.**

**Important - Western Red Cedar Lumber will have surface splitting that occurs as lumber seasons and dries to the moisture content in your area. Splitting or "checking", as it is referred to, can be 1/8" to 1/4" wide and can run several feet. This does not diminish the structural integrity of the material in any way.**

**Customers agree to hold Outdoor Living Today and any Authorized Dealers free of any liability for improper installation, maintenance and repair of any Outdoor Living Today products.**

# 12X16 ATTACHED BREEZE PERGOLA

Important - Western Red Cedar Lumber will have surface splitting that occurs as lumber seasons and dries to the moisture content in your area. Splitting or "checking", as it is referred to, can be 1/8" to 1/4" wide and can run several feet. This does not diminish the structural integrity of the material in any way.



Thank you for purchasing one of our Breeze Pergola's. Please take the time to identify all the parts prior to assembly.

## Parts Lists:

Part	Finished Size			Qty.
	T	W	L	
A - Posts	5 1/2"	5 1/2"	108"or 144"	3
D - Main Joists (shallow notch on bottom)	1 1/2"	5 1/2"	154 1/2"	14
E - Front Girders (deep notch - bottom)	1 1/2"	5 1/2"	105"	2
F - Blocking	1 1/2"	5 1/2"	20 1/4"	60
H - Side Girders (deep notch- top)	1 1/2"	5 1/2"	154 1/2"	2
I - Stub Joists	1 1/2"	5 1/2"	14 1/2"	20
J - Corner Brackets	1 1/2"	5 1/2"	36"	6
K - Corner Bracket Post Mounts	3/4"	4 1/2"	10 1/2"	8
L - Corner Bracket Joist Mounts	1 1/2"	5 1/2"	5 1/2"	4
M - Wall Mount Brackets	1 1/2"	5 1/2"	48"	2
N - Center Post Corner Brackets (w / spacer)	1 1/2"	5 1/2"	36"	2
O - Post Skirtings	3 Pkgs (4 skirting pcs / 4 top caps - 45 degree cut)			
P - Wall Side Girders (sq. cut both ends)	1 1/2"	5 1/2"	94 1/2"	2
Q - Joist Mount Bracket	14			

## Hardware Kit Includes;

(1 1/2", 2", 3", 4" Deck Screws)  
 2" Stainless Steel Screws for Post Mounts  
 Handful of Finishing Nails  
 3/8" Lag screws (3" and 4" long)  
 3/8" flat washes

## Tools Required:

Work Gloves,  
 Screw Gun with square drive bit  
 9/16" wrench  
 Level

2 Tall Step Ladders

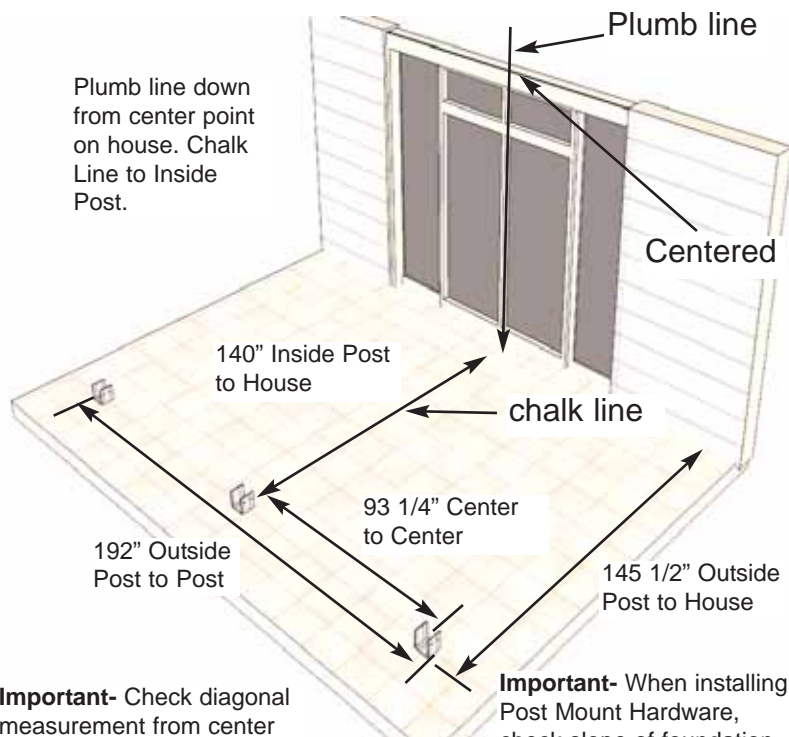
Hammer

## Assembly Time:

1 Day (does not include site preparation)

## Specifications:

Outside Post to Wall Dimension:  
 192" wide x 145 1/2" deep x 110"h or 146"h  
 Including Overhand  
 210" wide x 154 1/2" deep x 110"h or 146"h



Plumb line down from center point on house. Chalk Line to Inside Post.

## Laying out your Footprint

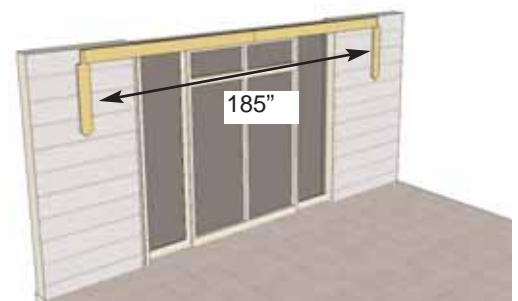
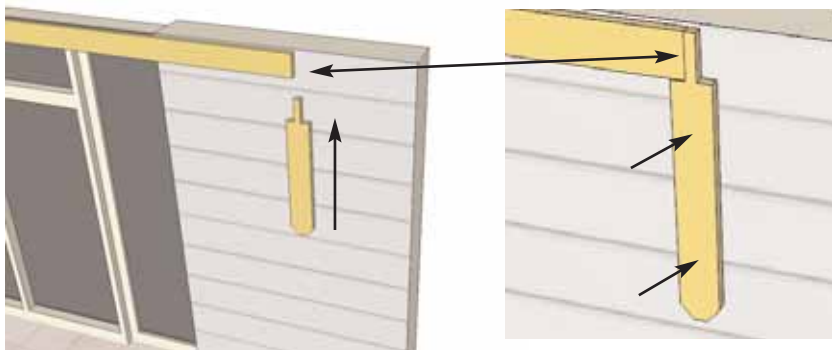
To determine the proper placement of your 5.5" x 5.5" Posts, first locate the center spot for your Pergola on the house. Drop a plumb line down and mark with a chalk line 140" perpendicular to house. This measurement will be the location for Inside of Center Post. Mark, and from the Center Post, measure and mark location for both Corner Posts. See Diagram to left and additional detail on **Page 2** to assist you. If you are having problems determining Post locations, please call our **Customer Care Line** for assistance before proceeding at **1-888-658-1658**. We recommend that you fix Posts to ground using Steel Post Bases or Saddle Brackets fixed on cement footing. If attaching Posts to pre-existing deck, we recommend that you purchase Post / Deck Mounting Brackets. In both cases, Post Mounting hardware can be found at most Hardware Stores.

**Important-** Check diagonal measurement from center to corner to confirm location of Post Mount Hardware.

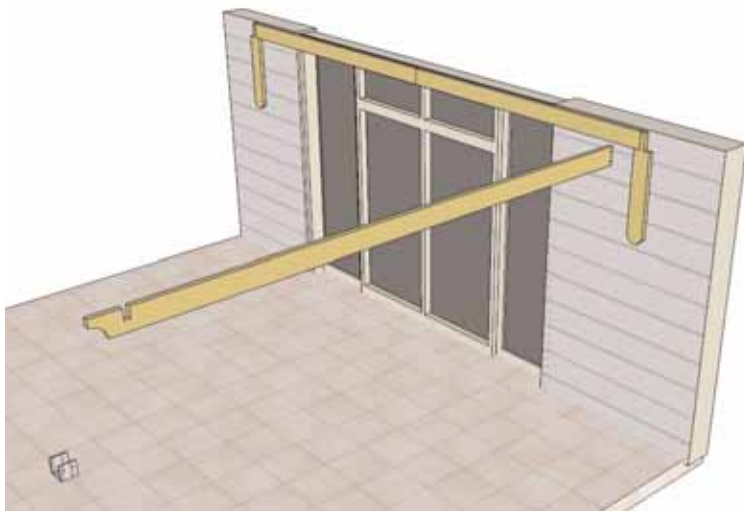
**Important-** When installing Post Mount Hardware, check slope of foundation and make necessary heights adjustments.



**1.** Locate and lift **Wall Side Girders (P)** up and place on previously marked center point on house. On Standard 9' high Posts, measure 94" from Foundation to the bottom of **Wall Side Girder (P)**. Height of Wall Side Girder with non-standard posts heights will vary. Level and attach to Wall with supplied 4" Lag Bolts (8) screwing into vertical wall studs of house. **Important-** We recommend using the services of **Qualified Building Contractor** when securing Girder to House. Piece must be properly secured and caulked before proceeding.

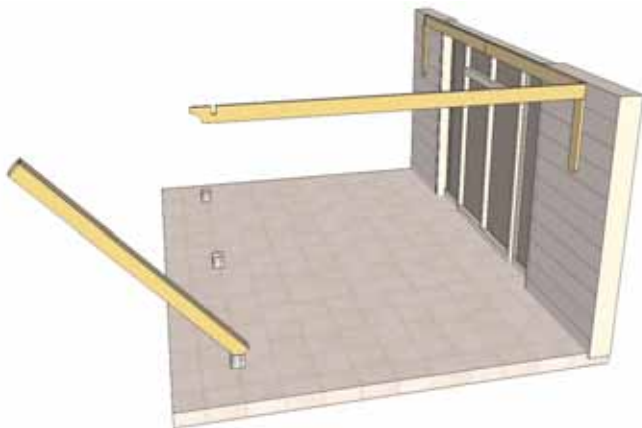
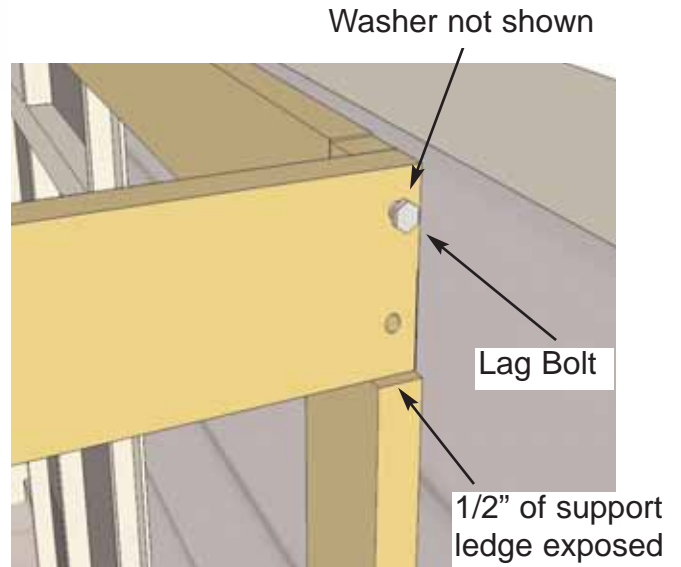


**2.** After Wall Side Girders are correctly secured, slide **Wall Mount Brackets (M)** up tight to girder. Secure bracket to house with 2 - 4" Lag Bolts per side. Have your **Qualified Contractor** complete.



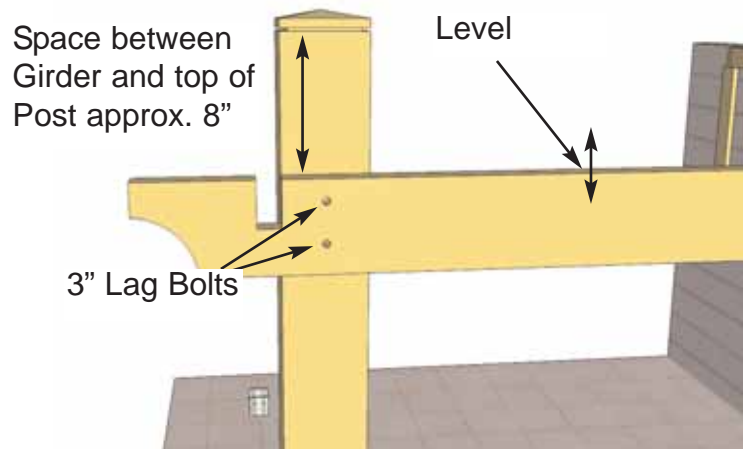
**3.** Lift and Place 1 **Side Girder (H)** up with Square cut end facing house and deep notch on opposite end facing up. Side Girder is 154 1/2" long.

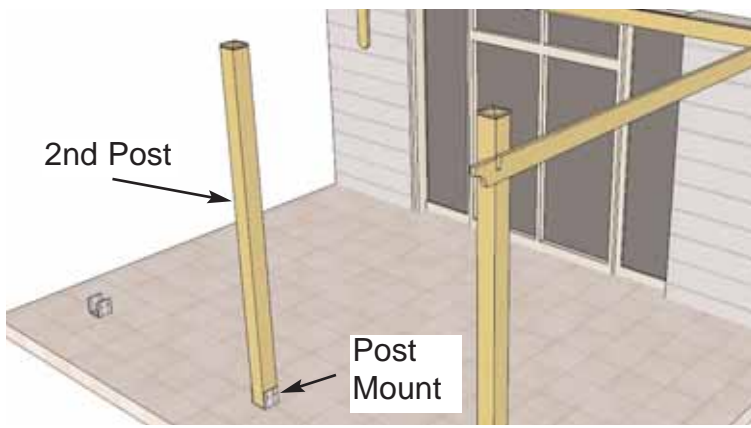
**4.** With your helper carefully supporting the Side Girder from opposite end, place Washer on 1- 4" Lag Bolt and insert bolt through pre- drilled Side Girder and Wall Mount Bracket. (attach 2nd lag bolt in **Step 6.**) Carefully tap bolt into Wall Side Girder approx. 1/4" to get started and tighten with 9/16" wrench.  
**Important** - if possible, try to pre-drill Wall Side Girder end to accommodate Lag Bolt.



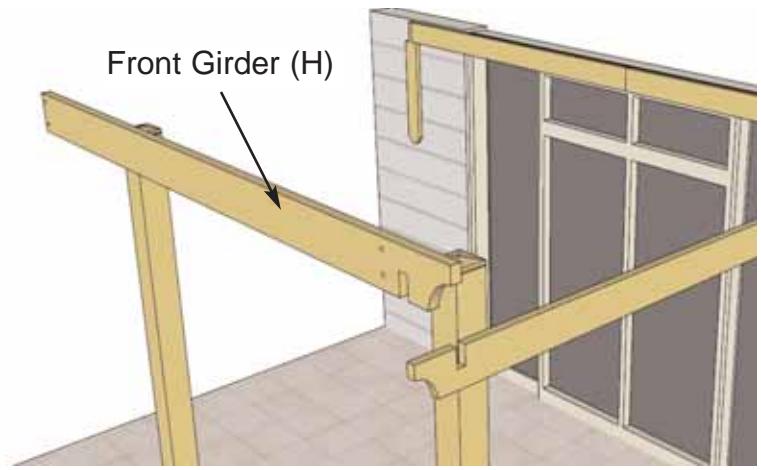
**5.** With Side Girder still being supported, lift and place your **Post (A)** in previously installed Post Mount and secure with appropriate hardware.

**6.** Attach Side Girder to Post with 2 - 3" Lag Bolts / Washers. Make sure Notch on Side Girder is flush to outside of Post.  
**Important-** make sure you level Side Girder prior to attaching to Post. Go back to **Step 4** and complete attachment of 2nd Lag Bolt.

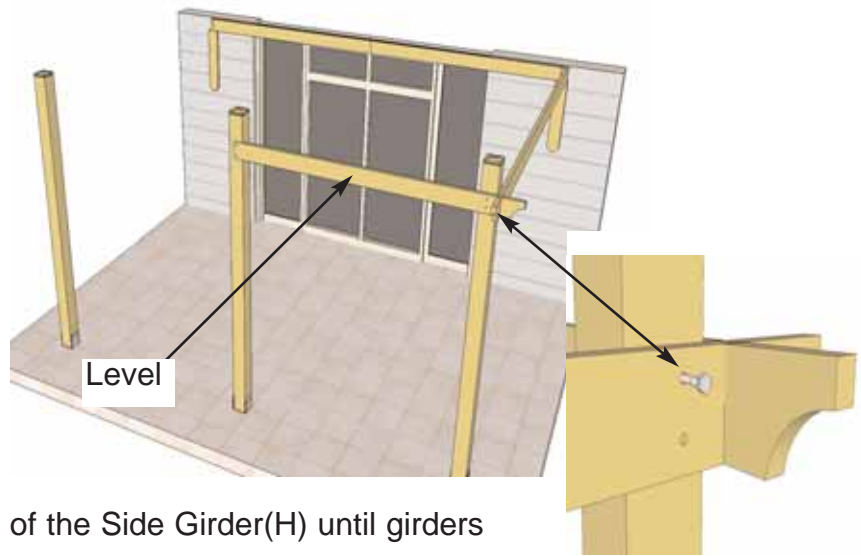
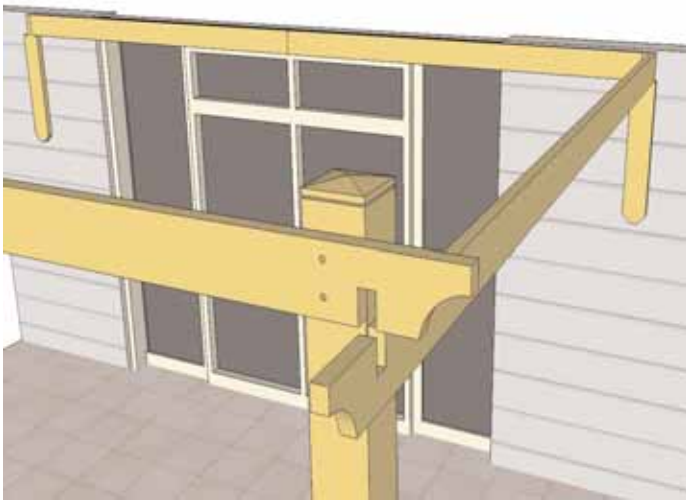




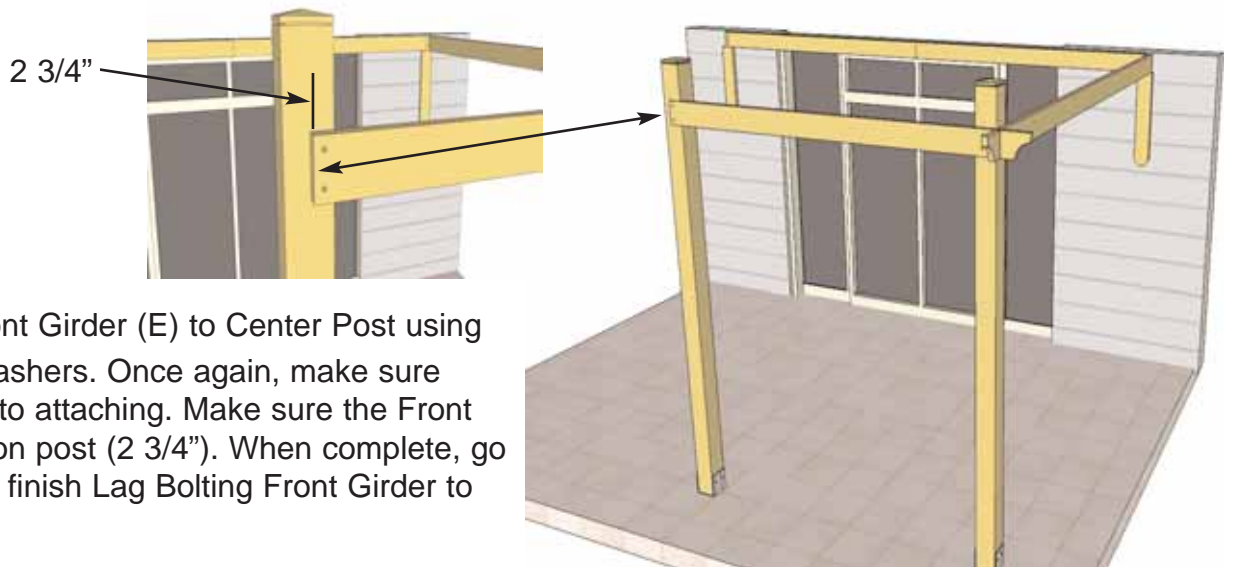
**7.** Lift and position your 2nd **Post (A)** into previously installed Post Mount and secure with appropriate hardware.



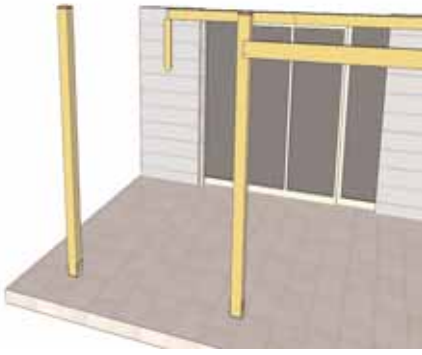
**8.** Locate 1 **Front Girder (E)** lifting up above Side Girder (H).



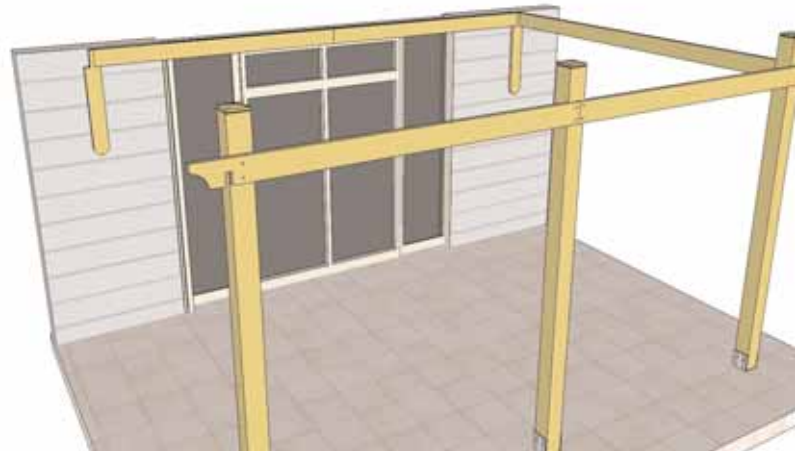
**9.** Slide the Front Girder (E) notch into the notch of the Side Girder(H) until girders sit flush with each other. Use 1 - 3" Lag Bolt/Washer to secure girder to Post. Use a level to align the Front Girder and mark on center post.



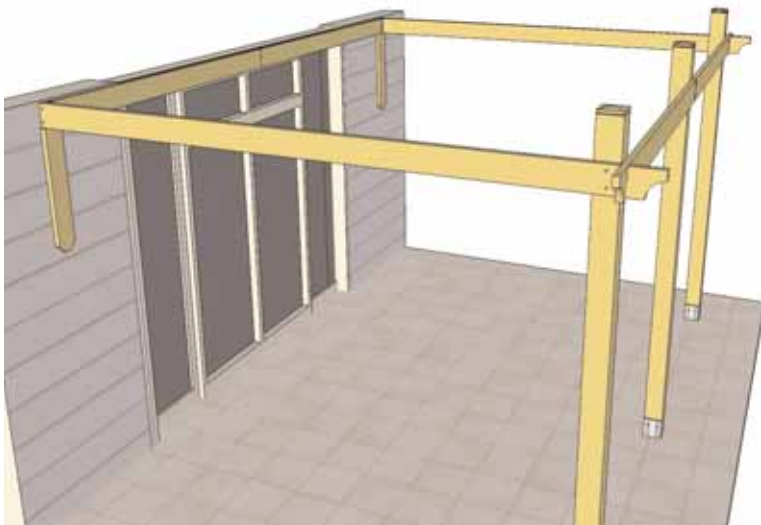
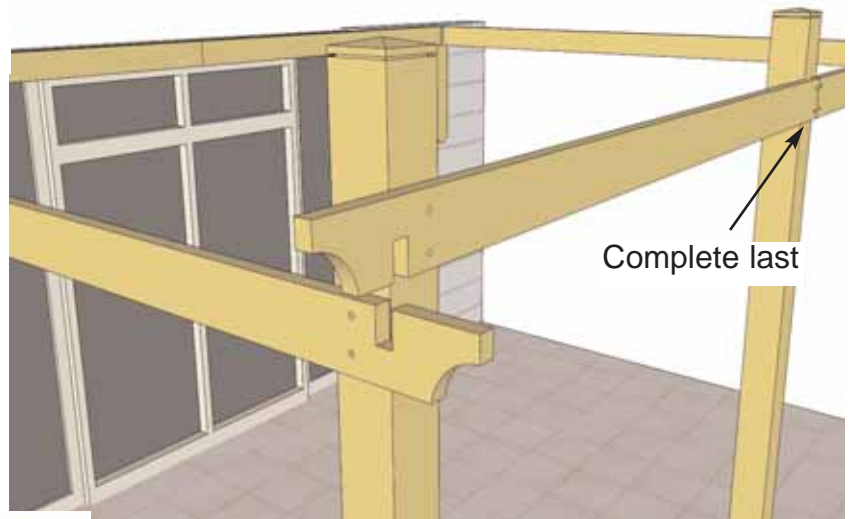
**10.** Attach the Front Girder (E) to Center Post using 2 - 3" Lag Bolts/ Washers. Once again, make sure girder is level prior to attaching. Make sure the Front Girder is centered on post (2 3/4"). When complete, go back to **Step 9** and finish Lag Bolting Front Girder to corner post.



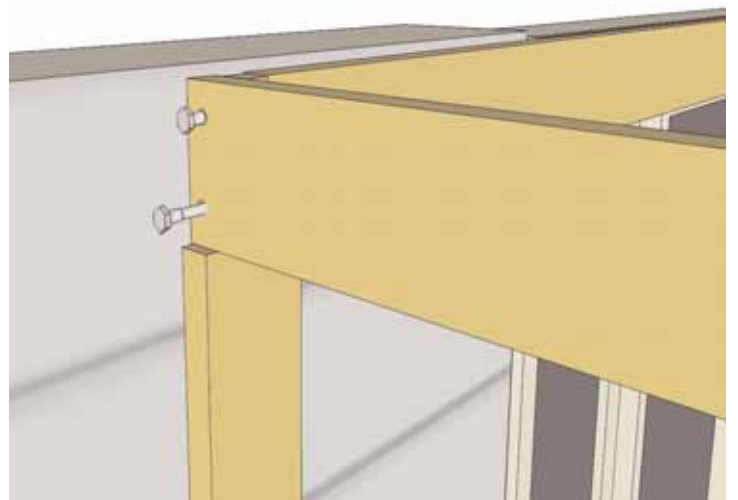
**11.** Position and secure the last **Post (A)** in previously installed Post Mount and secure with appropriate hardware. Lift and place the 2nd **Front Girder (E)** to post and level. Temporarily secure with girder to post with a 3" screw. **Important-** may have to adjust height of Front Girder and Side Girder in **Step 12**.



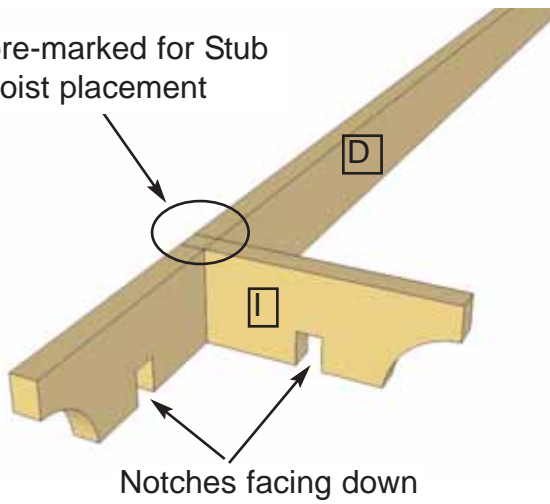
**12.** Lift and slide the last **Side Girder (H)** onto the Wall Mount (M) and on the opposite end into the notch of the Front Girder. Use a level to check for square of Side Girder, Front Girder and Post. Some adjustment may be necessary depending on the slope of your foundation. When level, attach Front and Side Girder to Post with 3" Lag Bolts/ Washers. Complete remaining Lag Bolt/Washer on Front Girder.



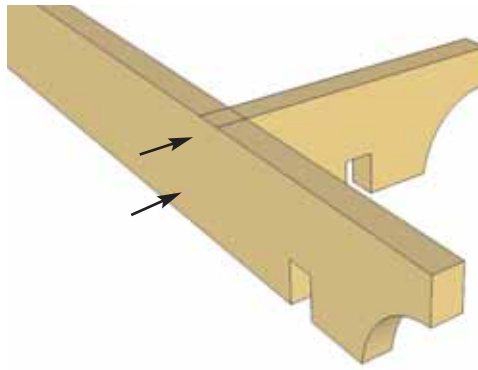
**13.** Finally, to complete all girder attachments, insert 2 - 4" Lag Bolts with washers through Side Girder (H) and Wall Mount Bracket (M). Once again tap bolt into Wall Side Girder (P) end and Tighten with 9/16" wrench.



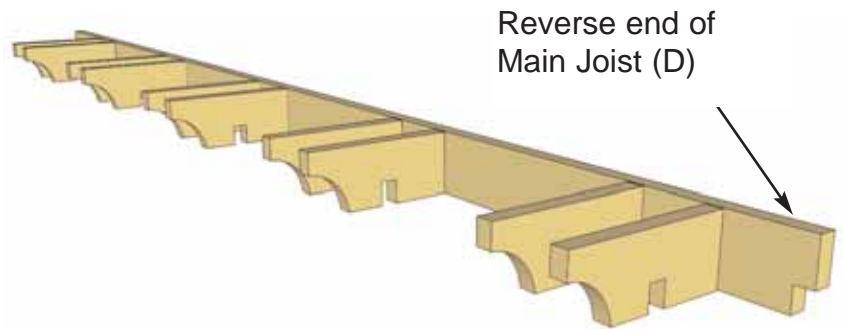
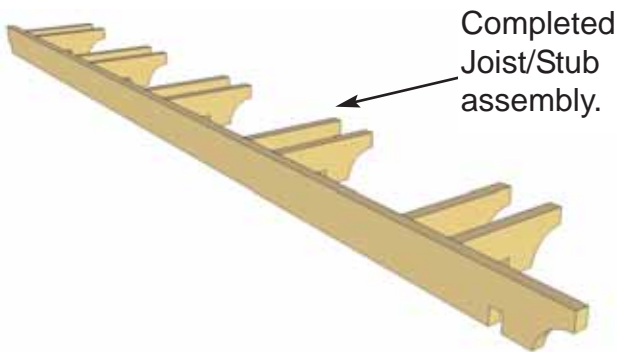
pre-marked for Stub Joist placement



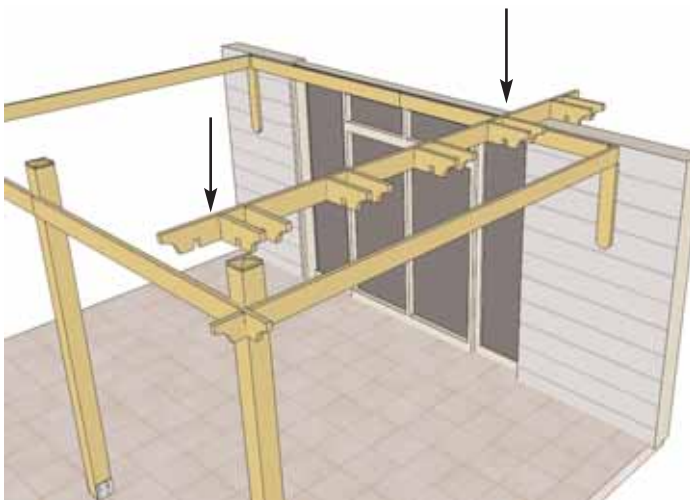
**14.** On level ground, position 1 **Main Joist (D)** and 10 **Stub Joists (I)**. Main Joists are pre-marked for Stub Joist and Blocking position.



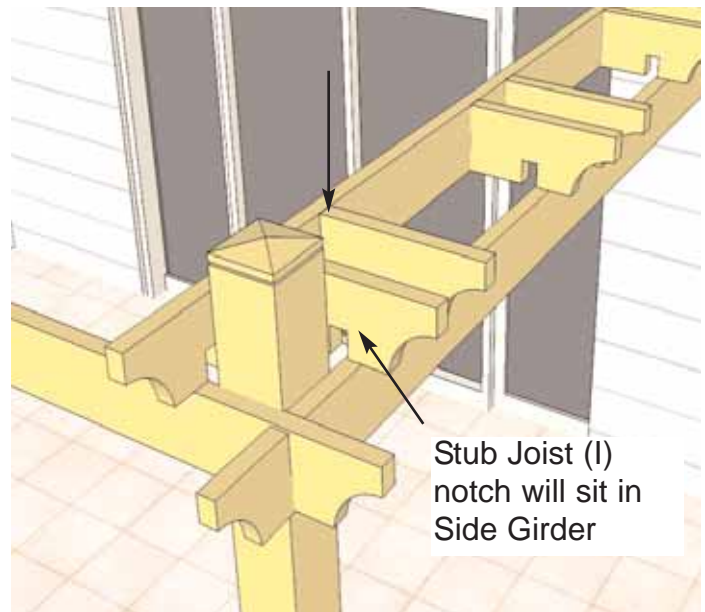
**15.** With Stub Joists positioned correctly on Joist, attach each Stub Joist with 2 - 3" screws. Stub Joists should be flush with top and bottom of Main Joist with all notches facing down.

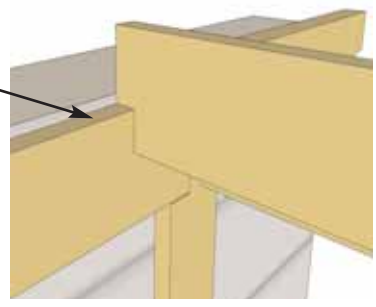
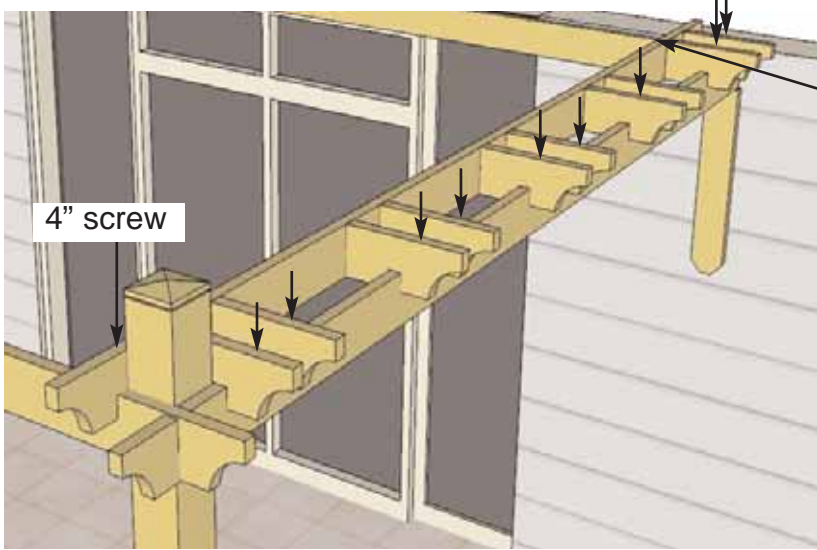


**16.** There are 2 Main Joist/ Stub Joist assemblies, complete both now. **Important-** There is a left and right configuration. Stub Joists are attached in the opposite direction as illustrated **Step 19**.

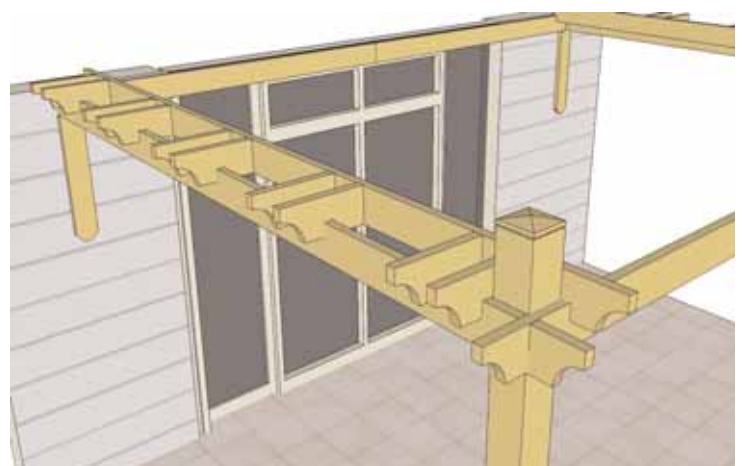
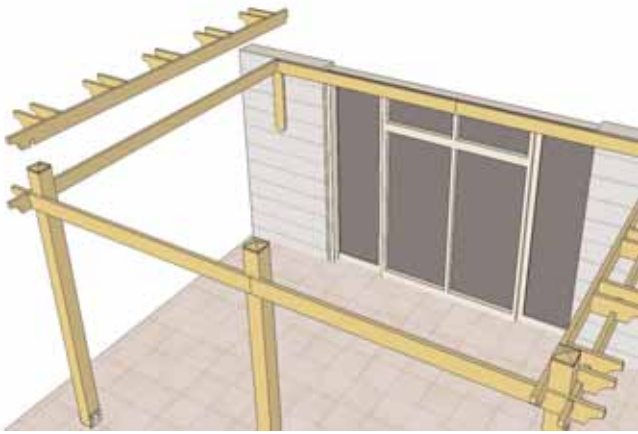


**17.** Carefully lift up completed Stub Joist / Main Joist assembly and place Main Joist between Front Girder (E) and Wall Side Girder (P). When correctly positioned, Main Joist will sit flush against post and notches of Stub Joist will sit down into Side Girder.

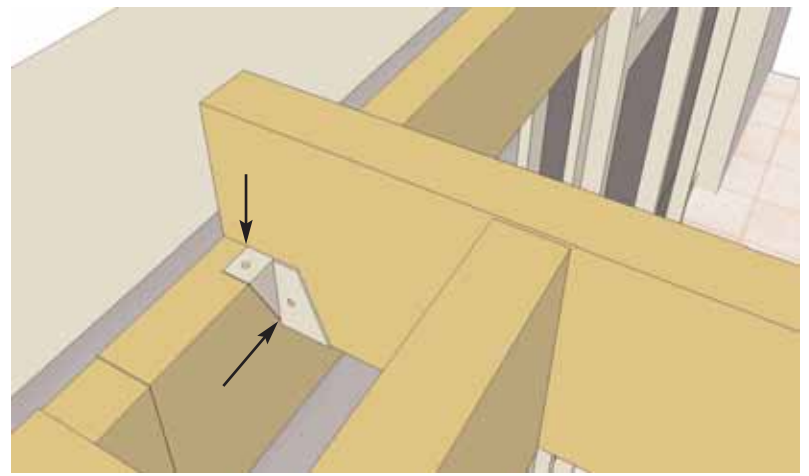
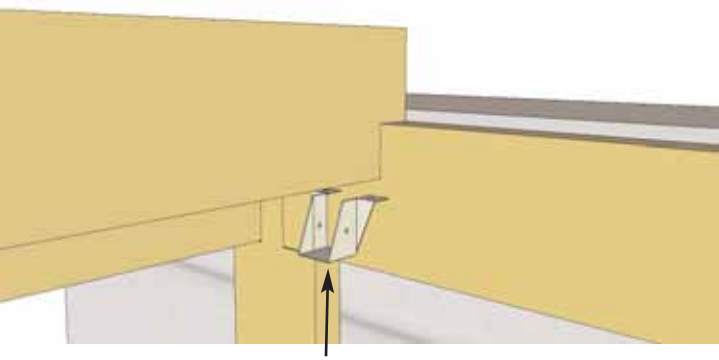




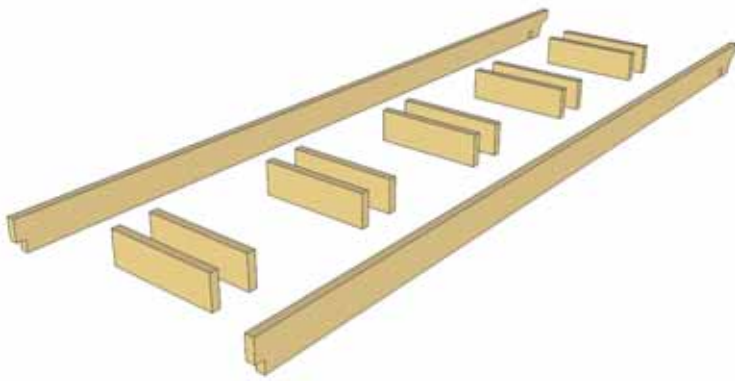
**18.** Attach all Stub Joists to Side Girder with 1- 4" screw per Stub Joist. Screw from the top down into girder. Where end of Main Joist sits on Wall Side Girder, a **Joist Mount Bracket (Q)** will be installed. See **Step 20** for installation of this hardware.



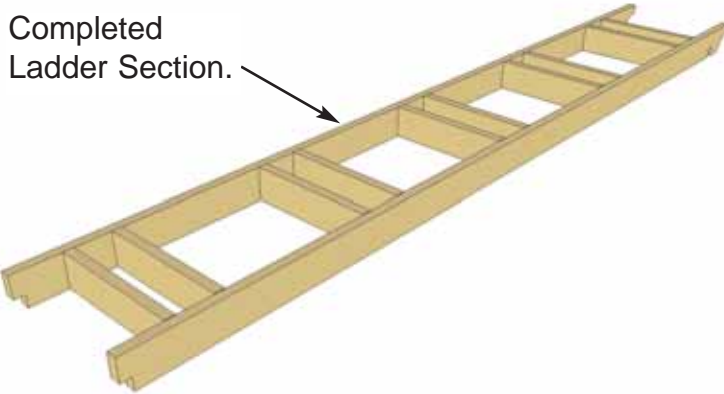
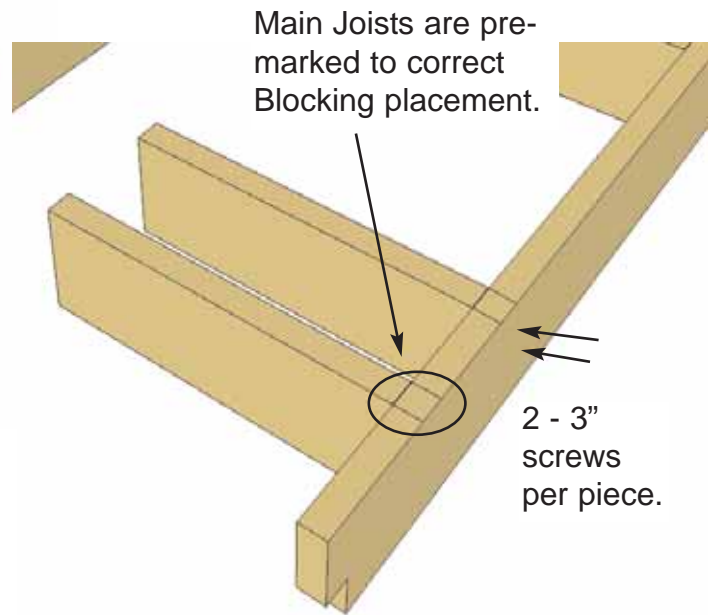
**19.** Lift and Place 2nd Stub Joist / Main Joist Assembly on other side of pergola. Follow same procedure as per **Steps 17-18**.



**20.** With Stub Joist / Main Joist Assembly positioned and partially attached. Complete by securing a Joist Mount Bracket. Start underneath and slide holder under the Main Joist and also so top flanges sit on Wall Side Girder. Attach with 4- 1 1/2" screws.



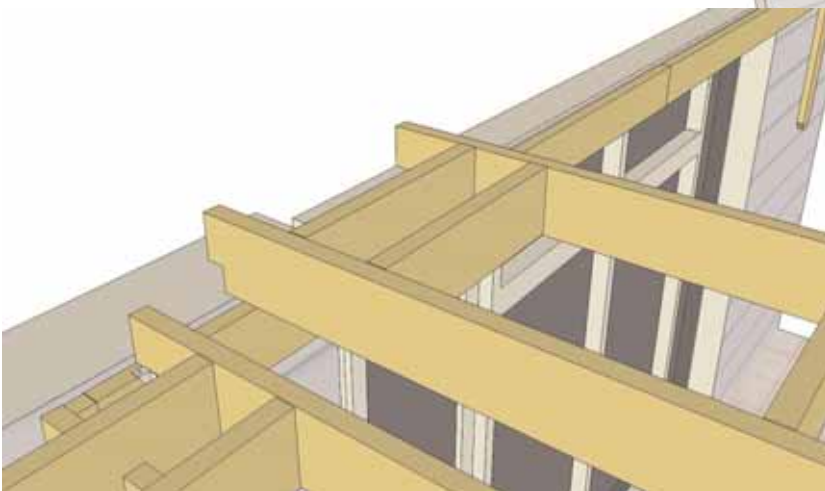
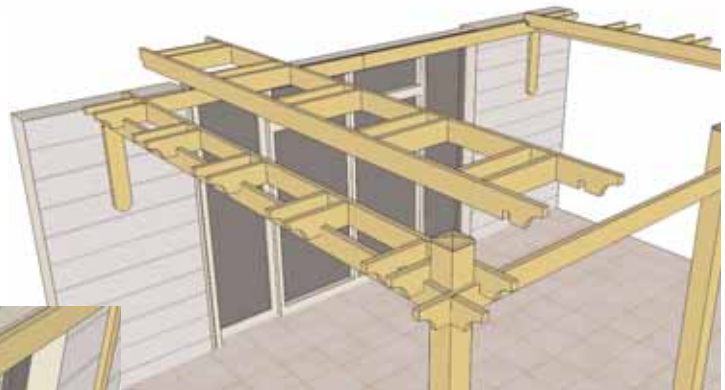
**21.** On a flat surface, position **Blocking (F)** where marked on Main Joist (D) and screw with 2- 3" screws per piece. Blocking should be flush with top and bottom of Main Joist with all notches facing down.



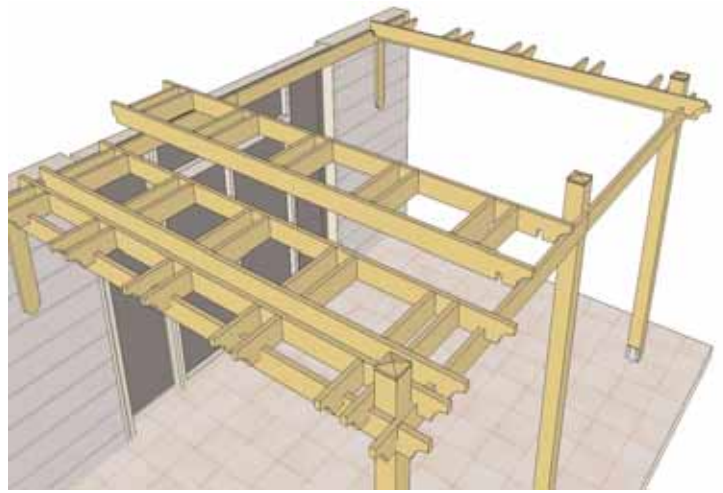
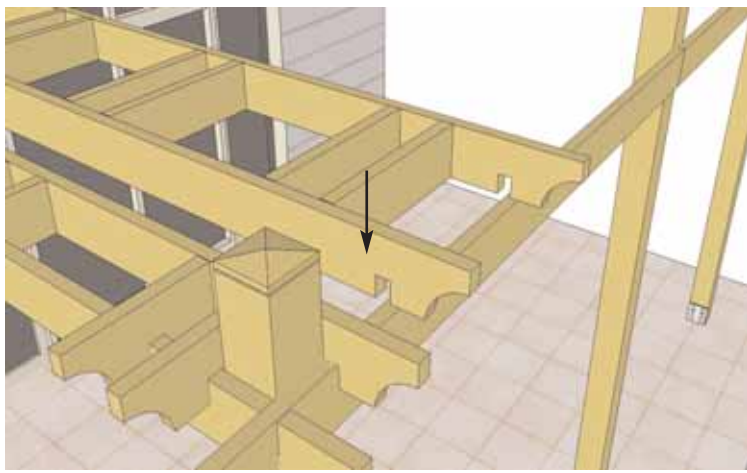
Completed Ladder Section.

**22.** Complete all 8 Ladder Sections on the ground prior to moving to **Step 23**.

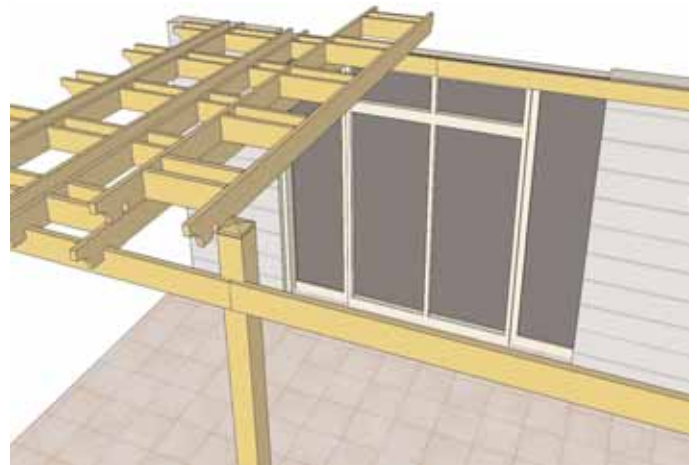
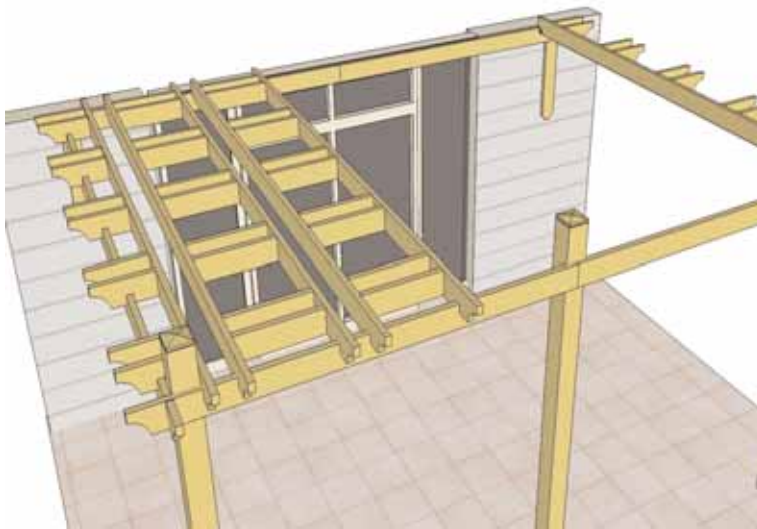
**23.** Carefully lift up one of the Ladder Sections and place between Front Girder and Wall Side Girder. You will require a helper to assist in lifting up the ladder section.



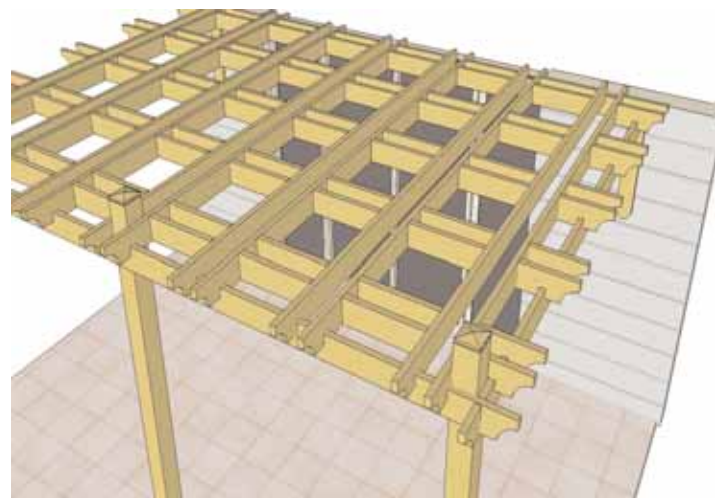
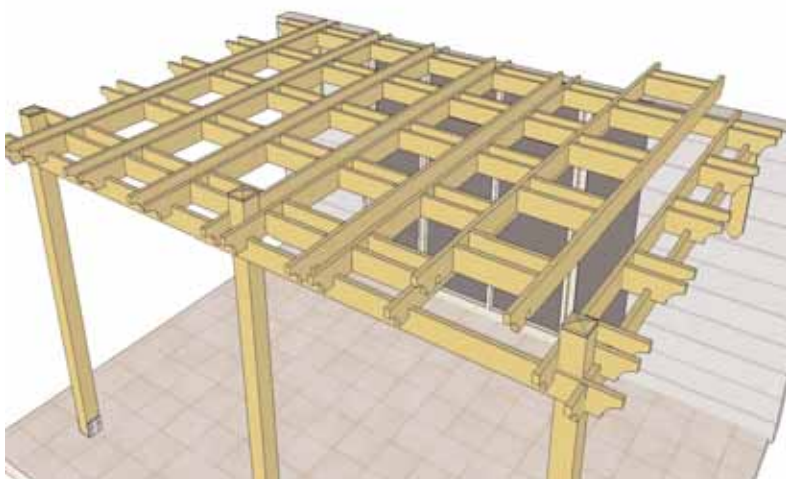
**24.** The notch of the Main Joist facing house will simply sit on the Wall Side Girder and will be attached later in **Step 29**.



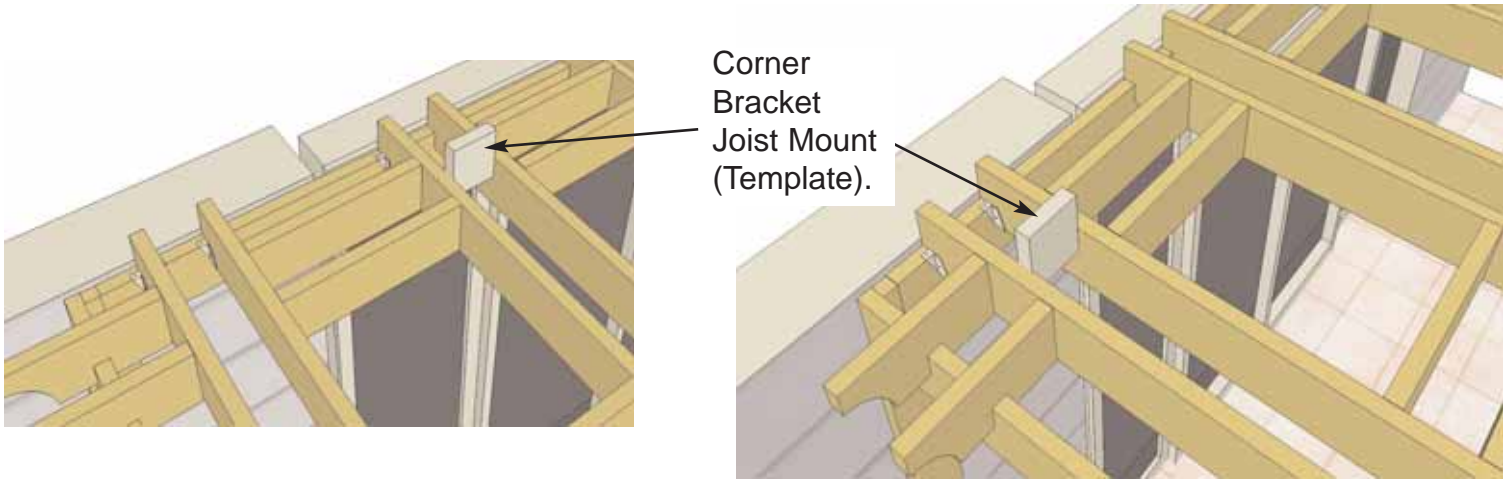
**25.** At the front, the notch of the Main Joist (D) will slip into the Front Side Girder (E). Space Ladder Section approximately 5 1/2" apart from adjacent Main Joist. Lift a 2nd Ladder Section up.



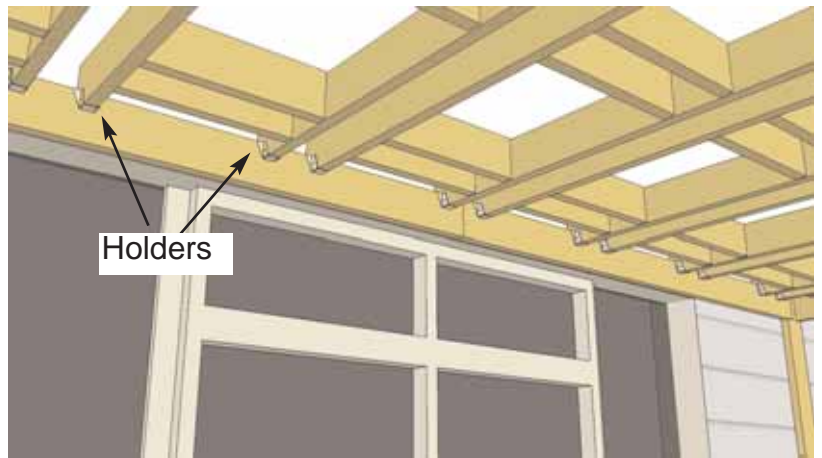
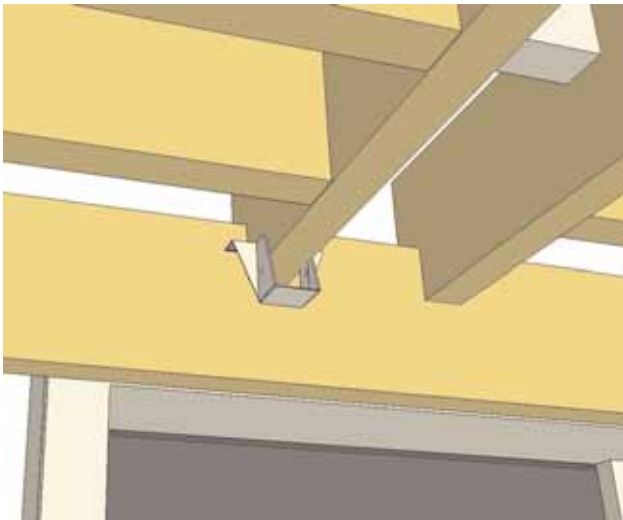
**26.** Place Ladder Section into position as per **Step 25**. On the 3rd Ladder Section, Main Joist should be positioned snug to center post.



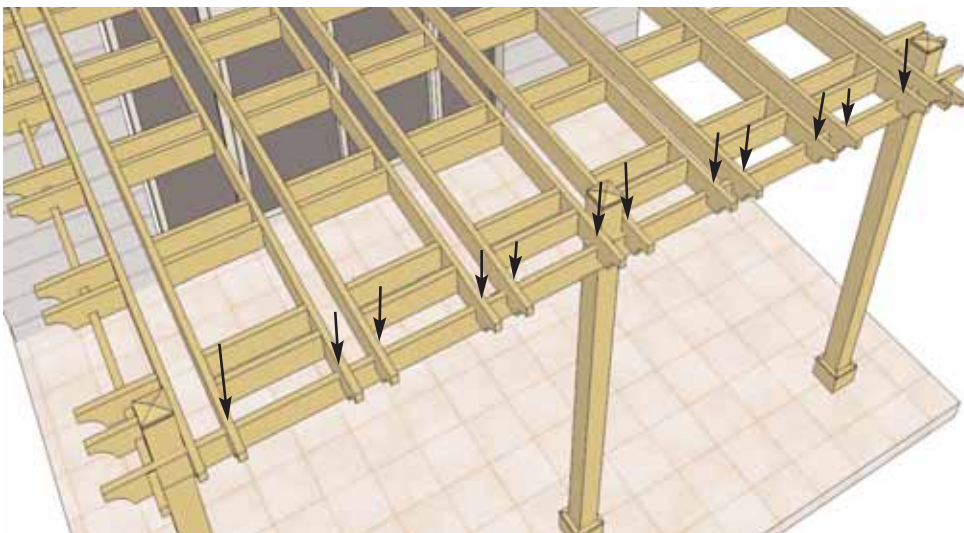
**27.** Lift and place final Ladder Section into position as per **Step 25**.



**28.** To complete Ladder Sections use a **Corner Bracket Joist Mount (L)** as a template to measure the distance between each Ladder Section at both front and back of the pergola. The Joist Mount is 5 1/2" wide so slide Joist Mount between each Ladder and position. **Important-** use Joist Mount only as a guide, Ladder Sections may vary slightly, check for equal spacing before attaching. Remember to keep Joists tight against Posts (A).

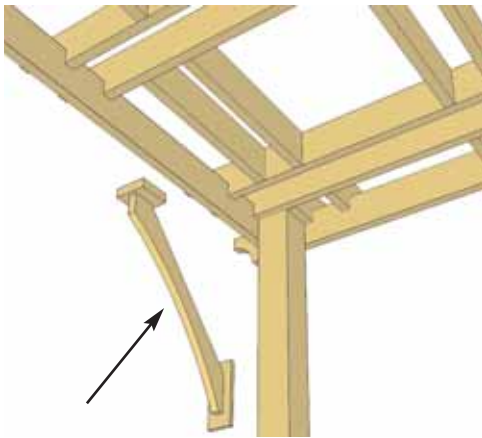
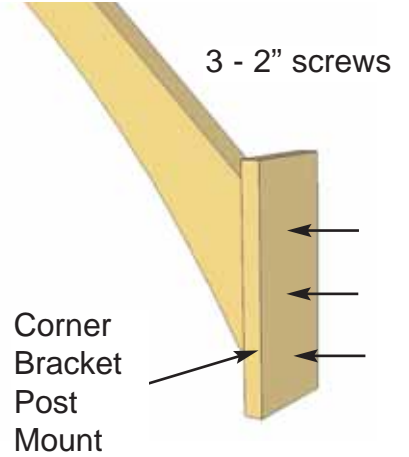
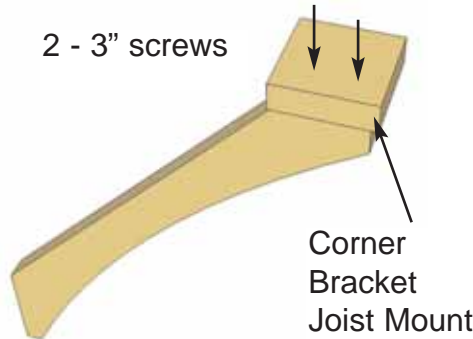
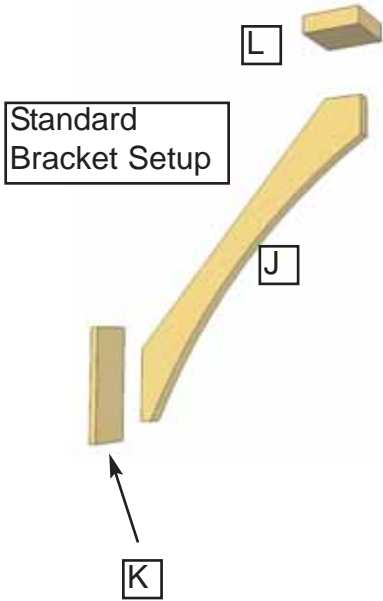


**29.** When comfortable with spacing, slide a Joist Mount Bracket under each Main Joist and attach as per **Step 20**.

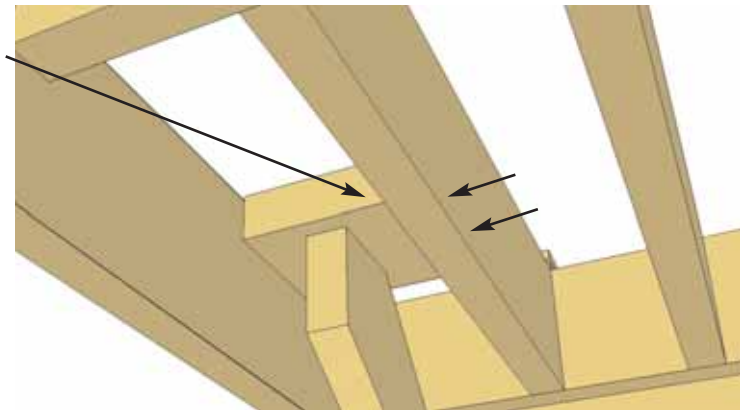


**30.** Attach the front of each Ladder Section to Front Girders (E) with 2 - 4" screw per Ladder. Screw from top down into girder.

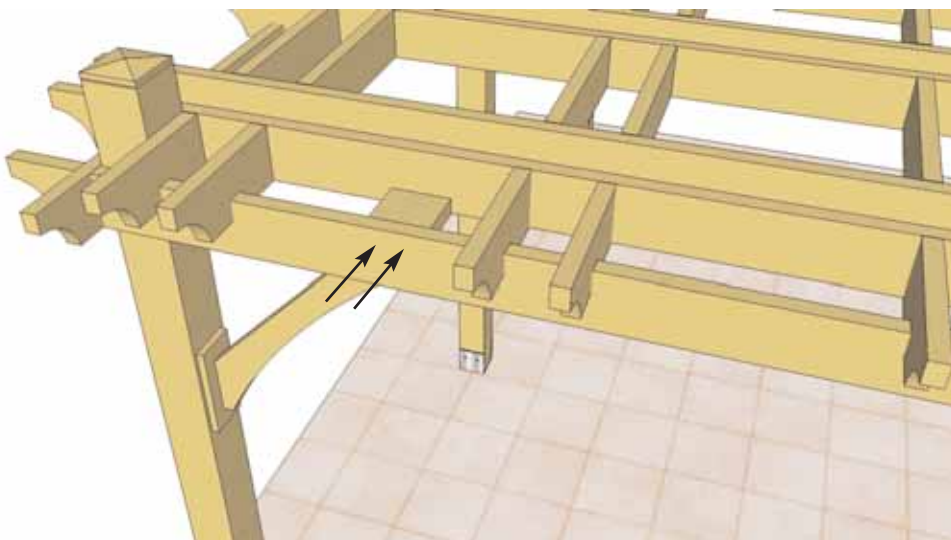
**31.** Complete Corner Bracket attachments prior to mounting Corner Brackets to Breeze. There will be 4 Standard Bracket setups. To complete standard brackets, attach **Corner Bracket Joist Mount (L)** and **Corner Bracket Post Mounts (K)** to each end of a **Corner Bracket (J)**. Joist Mount should be centered on bracket. Use 2 - 3" screws to secure. Corner Bracket Post Mount will be attached from the back to bottom of Brackets with 3- 2" screws. Complete 4 Corner Brackets prior to installing. There will be 4 remaining Corner Brackets. Attach Corner Bracket Post Mounts to these. Note, Corner Bracket Joist Mounts are not required for these brackets.

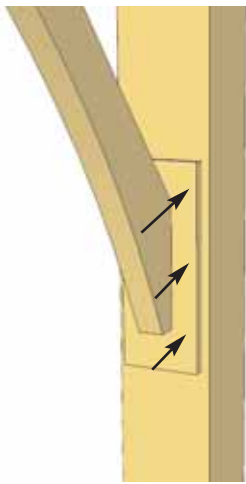


**Note-** that bracket can mount up higher but using the bottom will make it easier to align all brackets later.

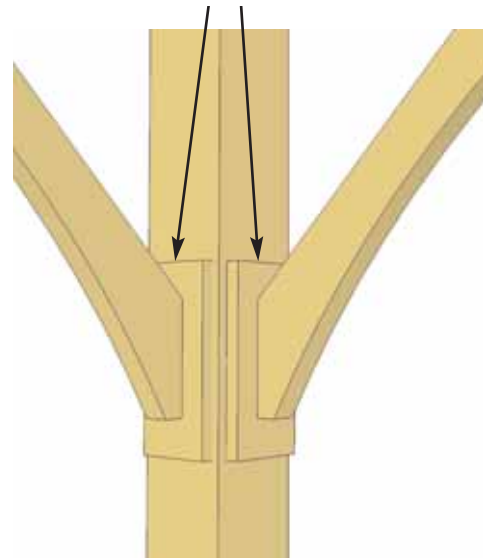


**32.** Position Corner Bracket so Joist Mount is flush with bottom of Blocking or Main Joist and Post Mount is flush against Post. When in correct position, attach joist mount to girder and joist/blocking with 2 - 3" screws per side.

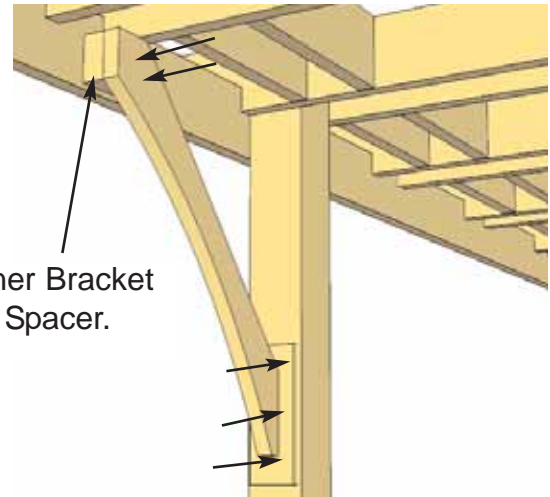
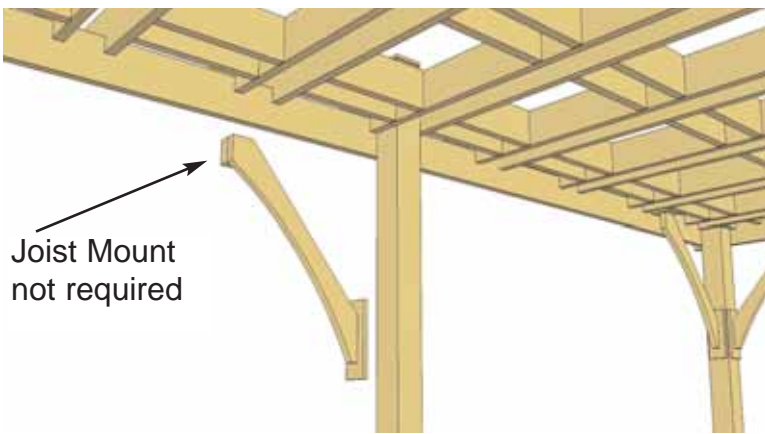




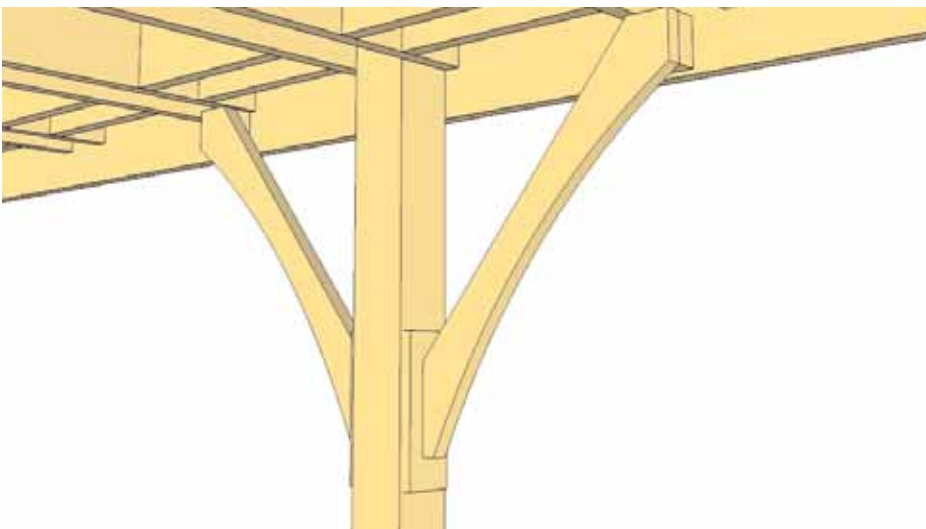
Be sure to align Bracket Post Mounts equally on posts.



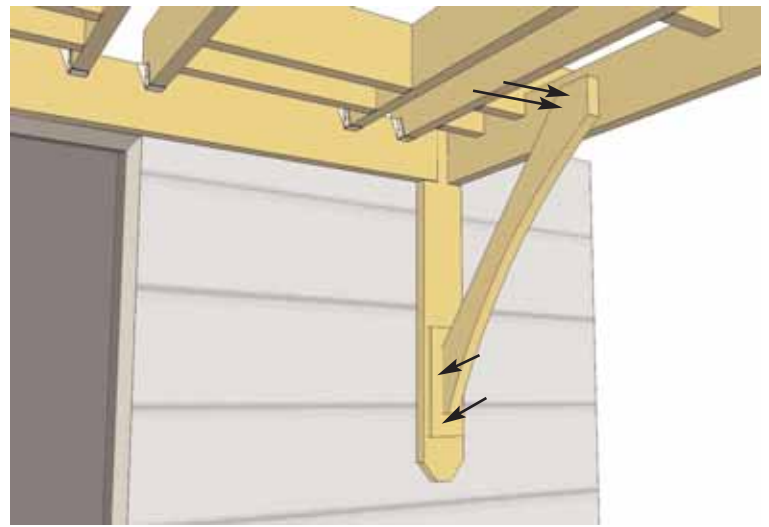
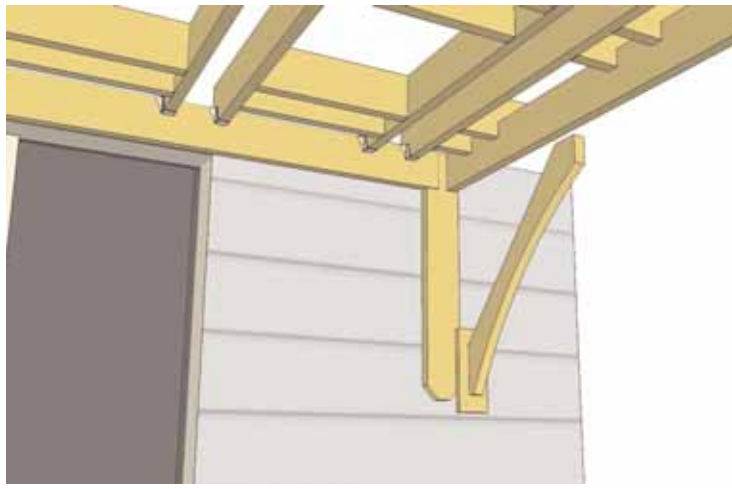
**33.** With Bracket centered on Post, attach Bracket Post Mount to Post with 6 - 2" Stainless Steel Screws. Attach 2 Corner Brackets per corner post.



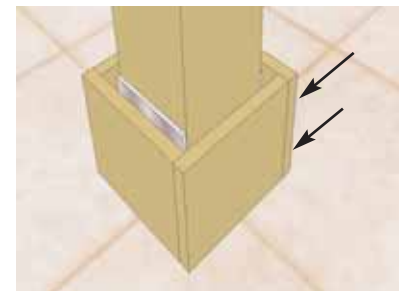
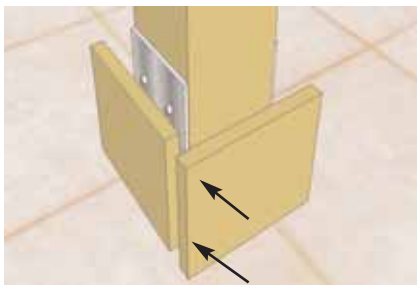
**34.** Front Center Post Brackets (1 left /1 right) do not require Joist Mount to be attached. You must attach the Corner Bracket Post Mount (K) as per **Step 31**. Position Bracket at equal height of Corner Post Bracket and attach post mount to post with 6 - 2" Stainless Steel Screws. Attach Bracket at top using 2 - 4" screws.



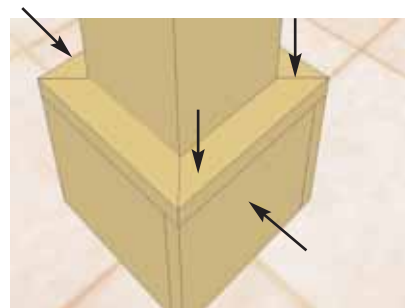
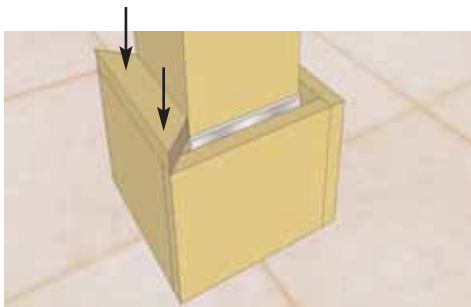
**35.** Complete both the left and right side Center Post Corner Brackets on each post. Once again, make sure both brackets are centered on post and are the same height as the outside corner brackets.



**36.** Lift and position the last 2 remaining Corner Brackets (without Spacers) centered on the Wall Mount Brackets (M) and at the top flush against the Side Girders (H). Attach the upper bracket to the Side Girder from the inside with 2 - 3" screws. Attach the Post Mount to the Wall Mount Bracket with 6 - 2" screws. Complete the other side to complete your attached Breeze.

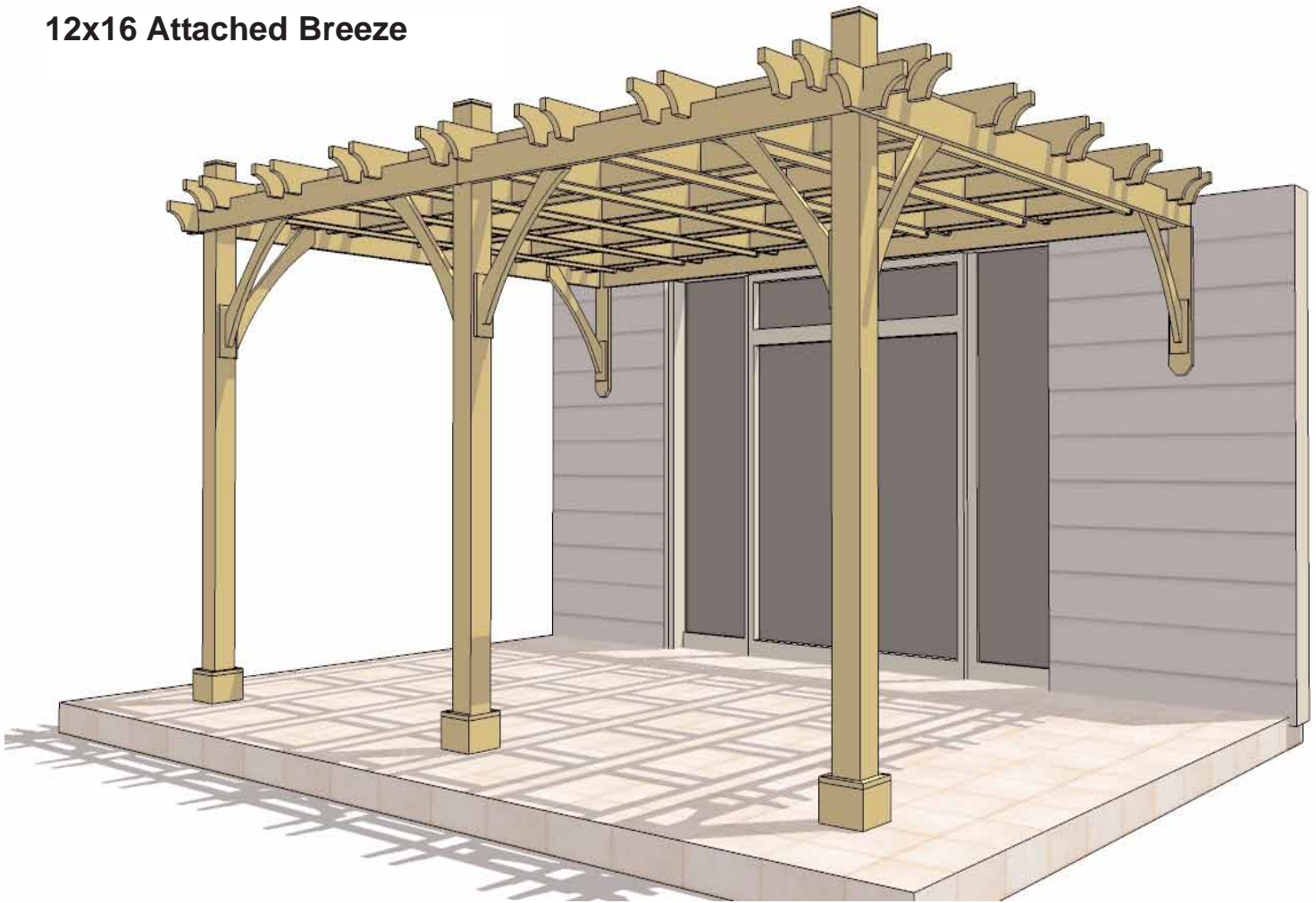


**37.** To complete your Breeze, attach **Post Skirting (O)** around each post. Position 2 skirting pieces together to form an "L" shape and attach with 2 finishing nails. Complete second "L" section and attach both sections together with 2 finishing nails. Skirting pieces will fit together in what is referred to as "windmill fashion".



**38.** Nail top cap pieces (45 degree cut on both ends) down to Post Skirting. Use 2 finishing nails per piece. Screw completed Post Skirting to post with 2 - 3" screws. Complete all Post Skirting attachments.

## 12x16 Attached Breeze



### **Congratulations and thanks for purchasing a Breeze Pergola!**

Note; The Breeze Pergola is an unfinished product. If exposed to the elements, the western red cedar lumber will weather to a silvery-gray color. If you prefer to keep the cedar lumber looking closer to the original color, we suggest that you treat the wood with a good oil base wood stain. You may also wish to paint your new Pergola rather than stain it. In both cases we recommend that you consult with your local paint and stain dealer in your local area for their recommendations.

If you have any questions, comments or suggestions about the Breeze Pergola, please contact our customer support line @ 1-888-658-1658 or email us at [service@outdoorlivingtoday.com](mailto:service@outdoorlivingtoday.com). Thanks again!

**Customers agree to hold Outdoor Living Today and any Authorized Dealers free of any liability for improper installation, maintenance and repair of any Outdoor Living Today products.**