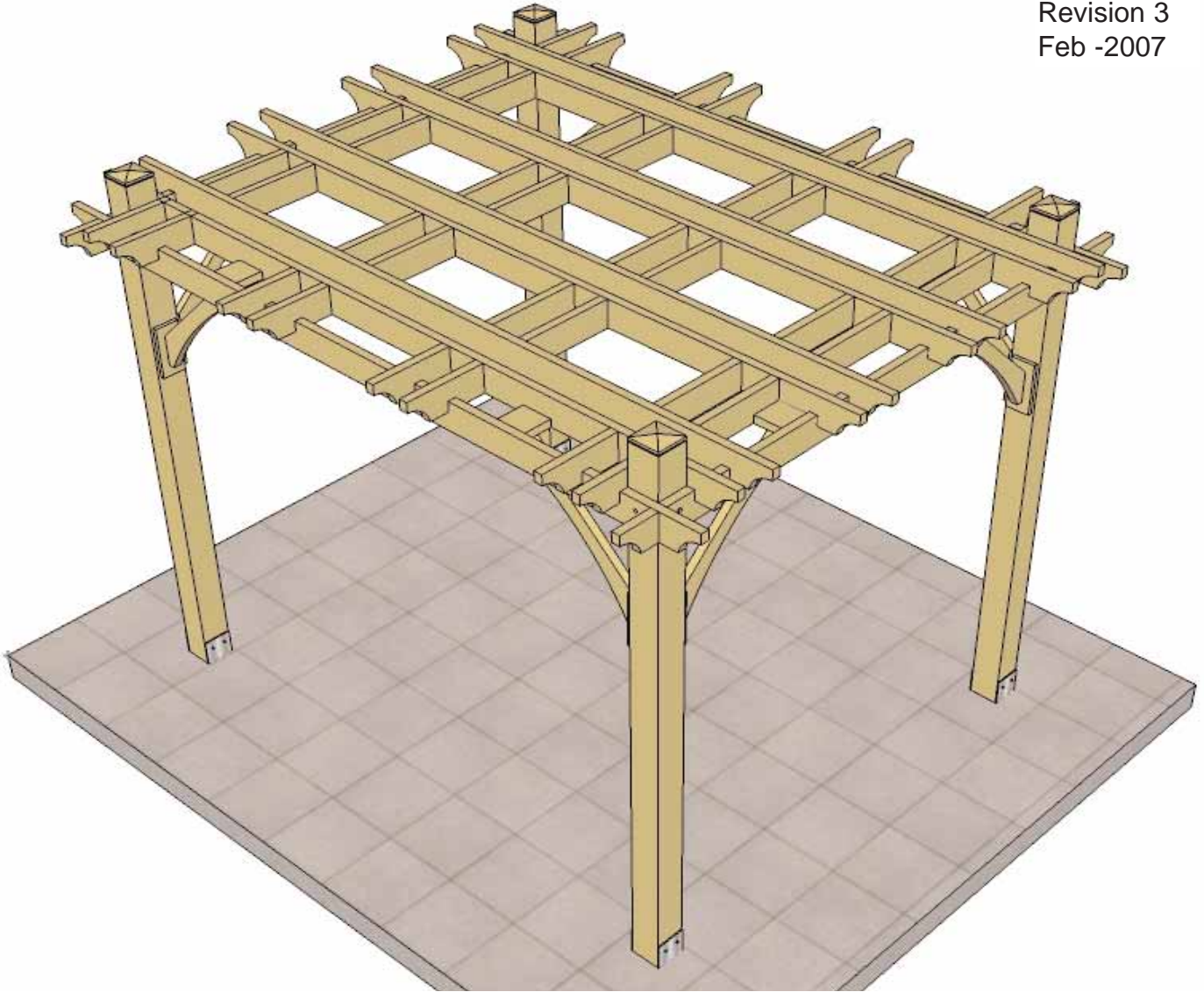


# 10' X 8' Breeze Pergola Assembly Manual

## Outdoor Living Today

Revision 3  
Feb -2007



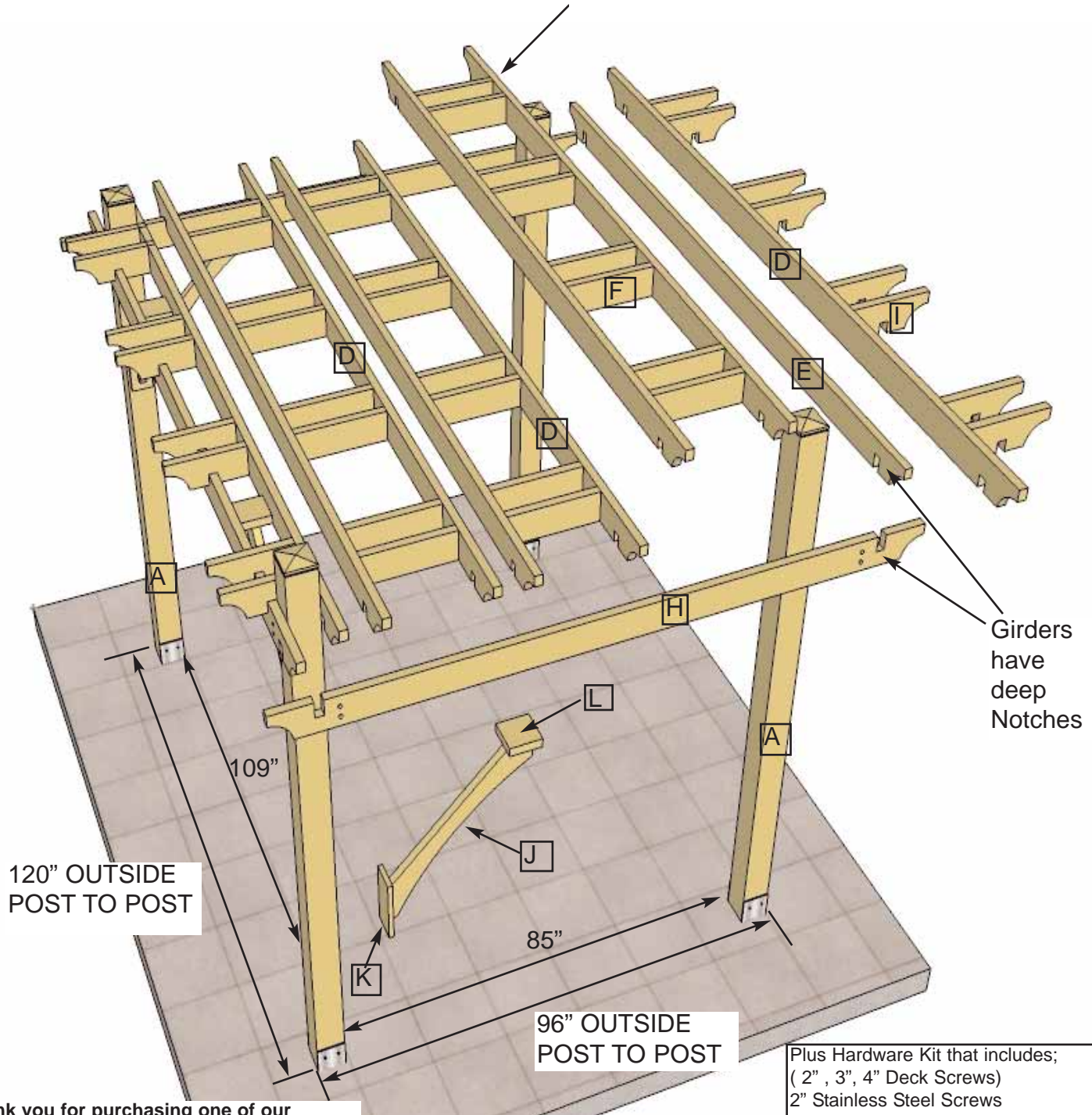
**Important - If you receive a broken or missing part. Please contact our Customer Service Center immediately @ 1-888-658-1658 for assistance.**

**Important - Western Red Cedar Lumber and Timbers will have surface splitting that occurs as lumber seasons and dries to the moisture content in your area. Splitting or "checking", as it is referred to, can be 1/8" to 1/4" wide and can run several feet. This does not diminish the structural integrity of the material in any way.**

**Customers agree to hold Outdoor Living Today and any Authorized Dealers free of any liability for improper installation, maintenance and repair of any Outdoor Living Today products.**

# 10X8 BREEZE PERGOLA

3 LADDER SECTIONS



Thank you for purchasing one of our Breeze Pergola's. Please take the time to identify all the parts prior to assembly.

**Parts Lists:**

	T	W	L	Qty.
A - Posts	5 1/2"	5 1/2"	108"	4
D - Main Joist	1 1/2"	5 1/2"	138"	8
E - Side Girders (Bottom Deep Notch)	1 1/2"	5 1/2"	138"	2
F - Blocking	1 1/2"	5 1/2"	17"	24
H -Girders (Top Deep Notch)	1 1/2"	5 1/2"	114"	2
I - Stub Joists	1 1/2"	5 1/2"	14 1/2"	16
J - Corner Brackets	1 1/2"	6"	36"	8
K - Corner Bracket Post Mount	3/4"	4 1/2"	10 1/2"	8
L - Corner Bracket Joist Mount	1 1/2"	5 1/2"	5 1/2"	8
O - Post Skirting (new)	4 Pkgs (4 skirting pcs / 4 top caps - 45 degree cut)			

Plus Hardware Kit that includes;  
 ( 2" , 3" , 4" Deck Screws)  
 2" Stainless Steel Screws  
 Handful of Finishing Nails  
 3/8" Lag screws  
 3/8" flat washers

**Tools Required:**

- Work Gloves,
- Screw Gun with square drive bit
- 9/16" Wrench
- Level
- 2 Tall Step Ladders
- Hammer

**Assembly Time:**

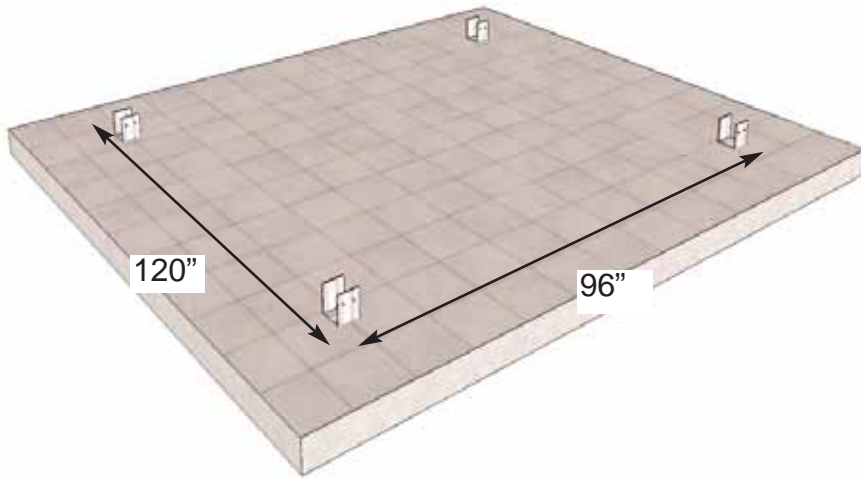
1 Day (does not include site preparation)

**Specifications:**

Outside Dimension: 96" x 120" x 108" high

## Laying out your Footprint

To determine the proper placement of your 5.5" x 5.5" Posts, see the exploded view on Page 2 to find the measurements and to determine their correct positions. Outside Post to Post measurements for the 10'x8' Breeze are: 120" x 96".



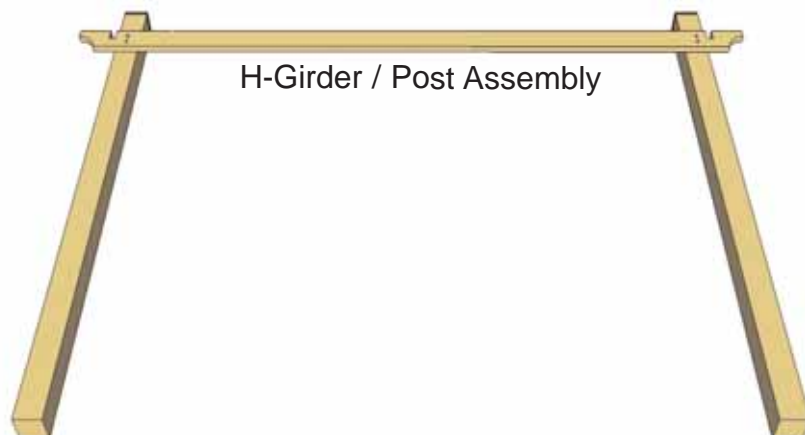
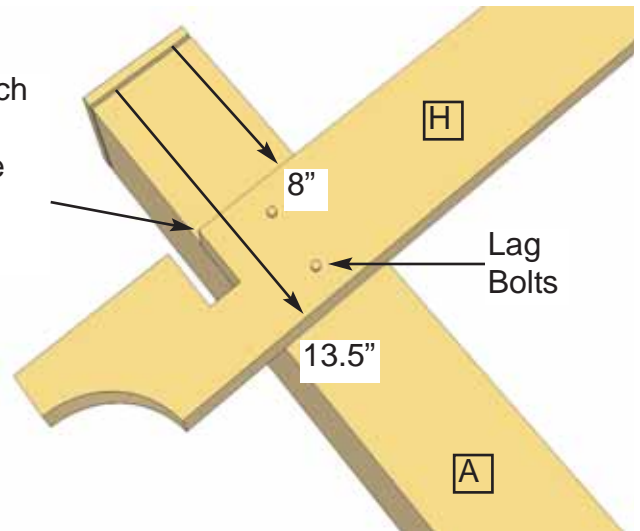
Take diagonal measurements to check your layout for square.

We recommend that you fix Posts to ground using Steel Post Bases or Saddle Brackets fixed on cement footing. If attaching Posts to pre-existing deck, we recommend that you purchase Post / Deck Mounting Brackets. In both cases, Post Mounting hardware can be found at most Hardware Stores.

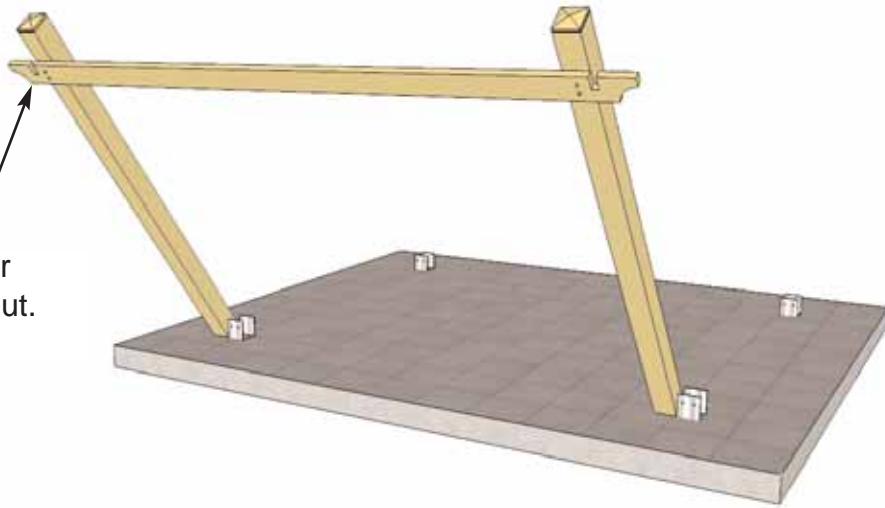
**Important - Western Red Cedar Lumber and Timbers will have surface splitting that occurs as lumber seasons and dries to the moisture content in your area. Splitting or "checking", as it is referred to, can be 1/8" to 1/4" wide and can run several feet. This does not diminish the structural integrity of the material in any way.**

**1.** On flat level ground, lag-bolt Girder (H) to two Posts (A) approximately 8" from top of Post. H- Girders is 114" long and has top deep notches. Complete 2 sets of H-Girder /Post sections.

Deep Notch facing up and inside flush with post.

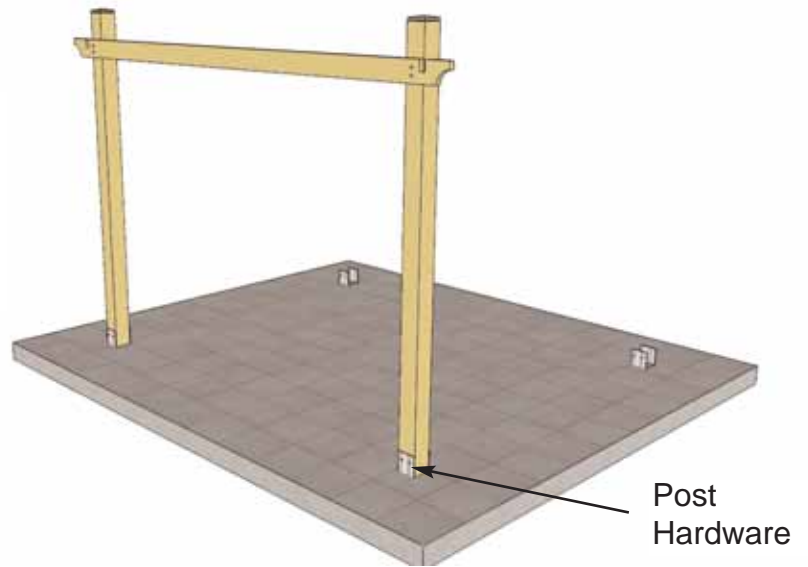


H-Girder facing out.

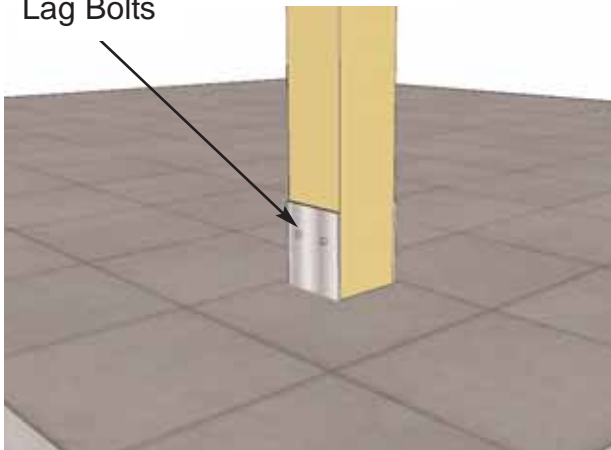


**2.** Lift up a completed Post/Girder section slowly and carefully. Make sure End Girder is facing outward.

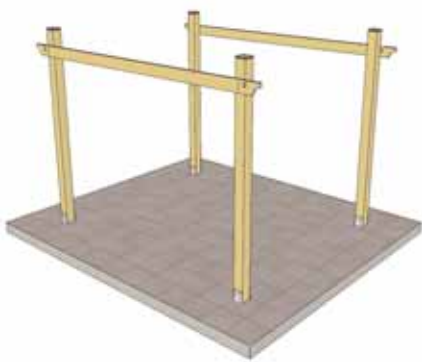
**3.** Position bottom of Posts in your existing Post Hardware.



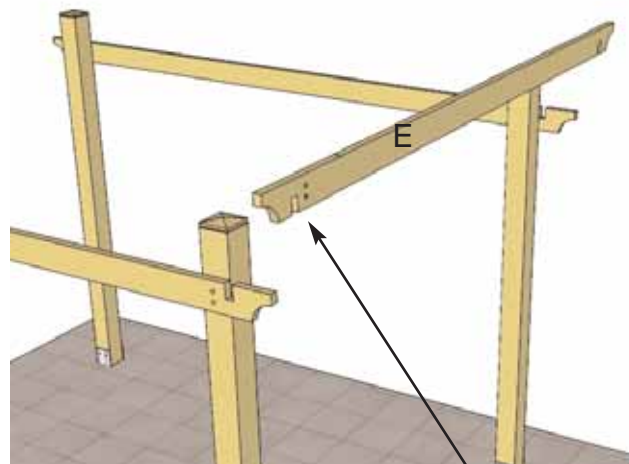
Lag Bolts



**4.** Secure Post to Post Hardware with appropriate hardware such as lag bolts or a sufficient number of screws.

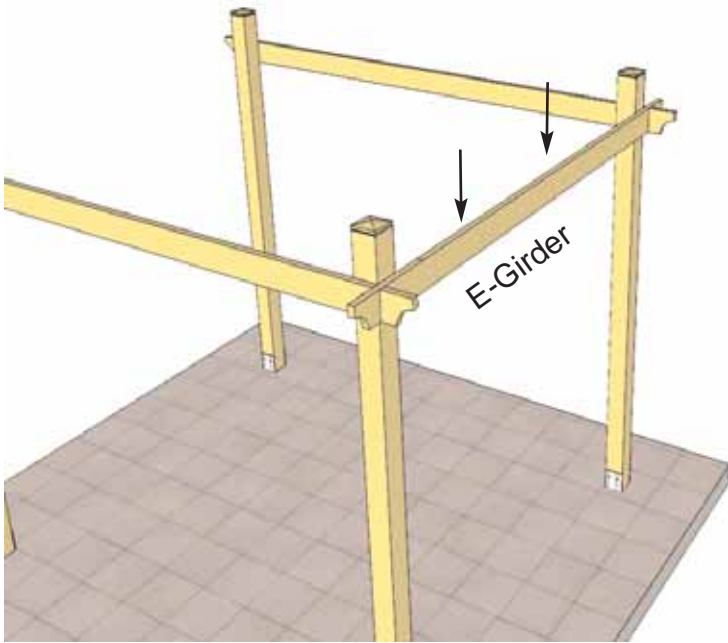


Lift, position and attach the second Post / H-Girder section to post hardware.

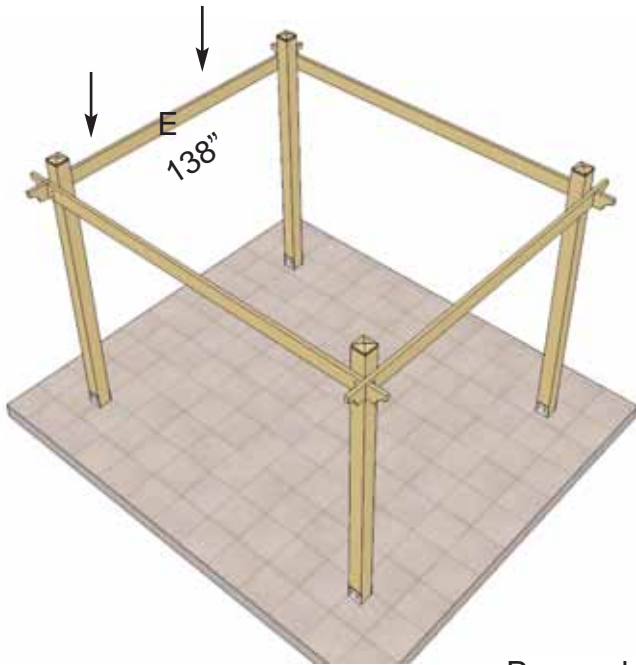
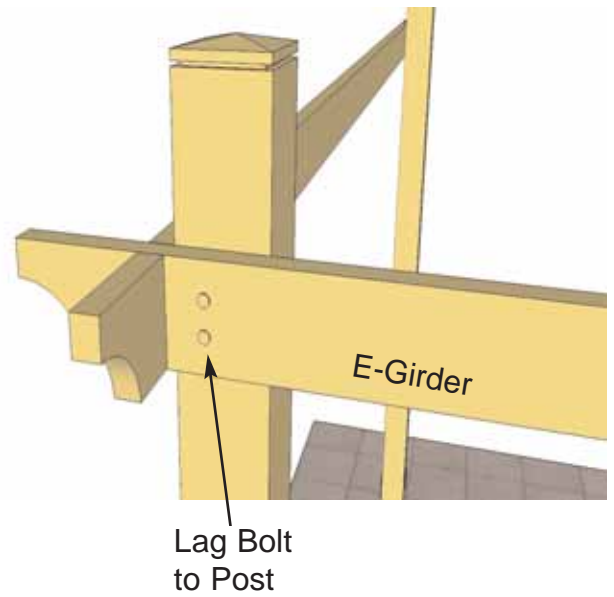


**5.** Locate E-Girder and lift into position between both H-Girder / Post Assemblies. The E-Girder has a deep notch facing down on each end and is 138" long.

Deep Notch facing down.

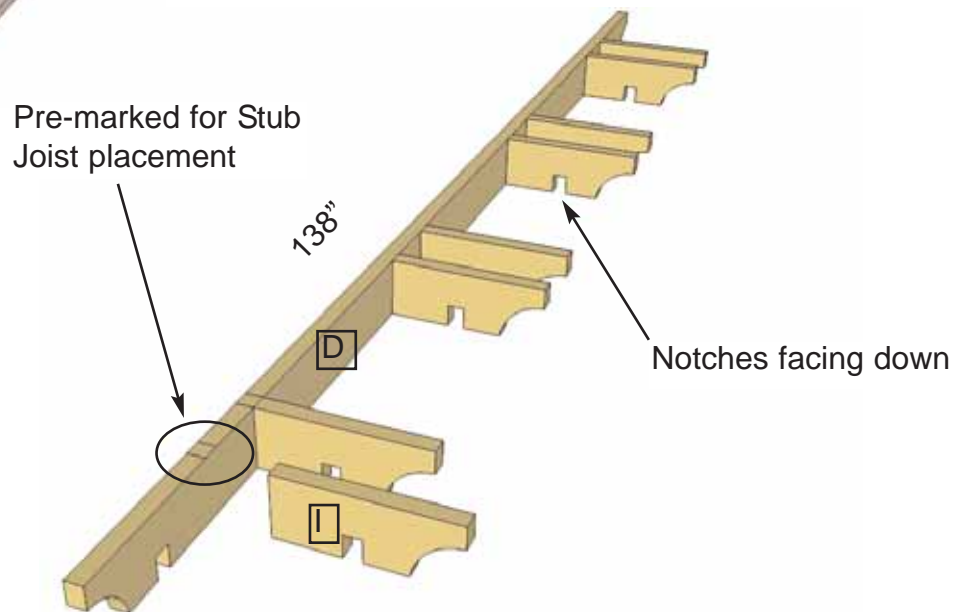


**6.** Carefully lower E- Girder down into notch of H-Girders. Be careful not to twist the Girder when dropping down into place. Lag bolt (2) Girder to Post.

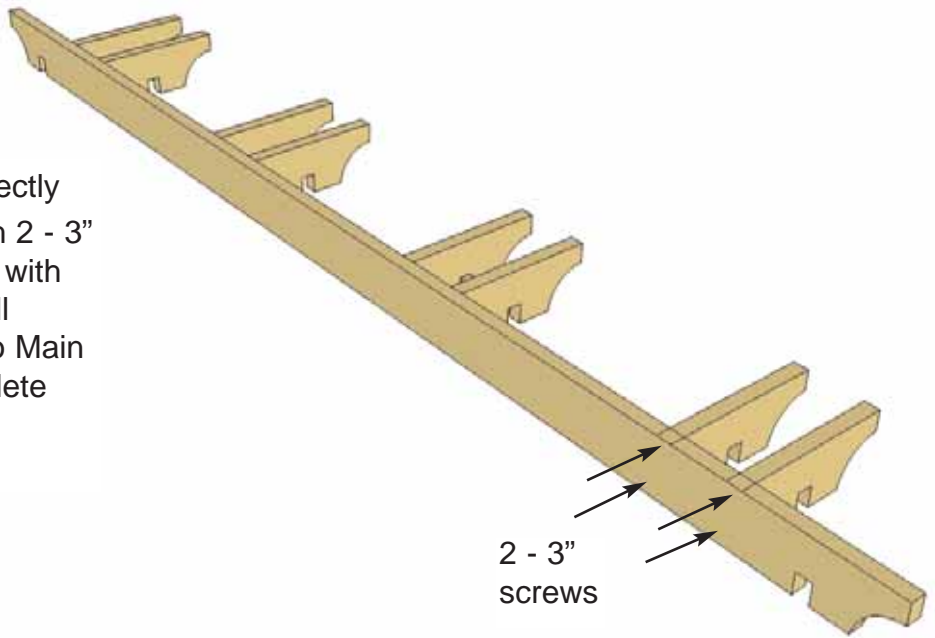


**7.** Lift, position and Lag bolt the second E-Girder to Posts.

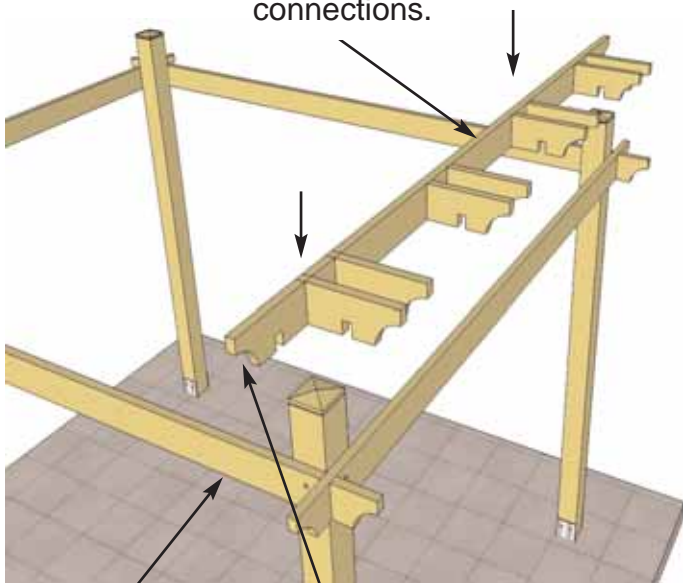
**8.** On level ground, position 1 Main Joist (D) and 8 Stub Joists (I). Main Joists are pre-marked for Stub Joist and Blocking position.



**9.** With Stub Joists positioned correctly on Joist, attach each Stub Joist with 2 - 3" screws. Stub Joists should be flush with top and bottom of Main Joist with all notches facing down. There are two Main Joist / Stub Joist assemblies, complete both now.

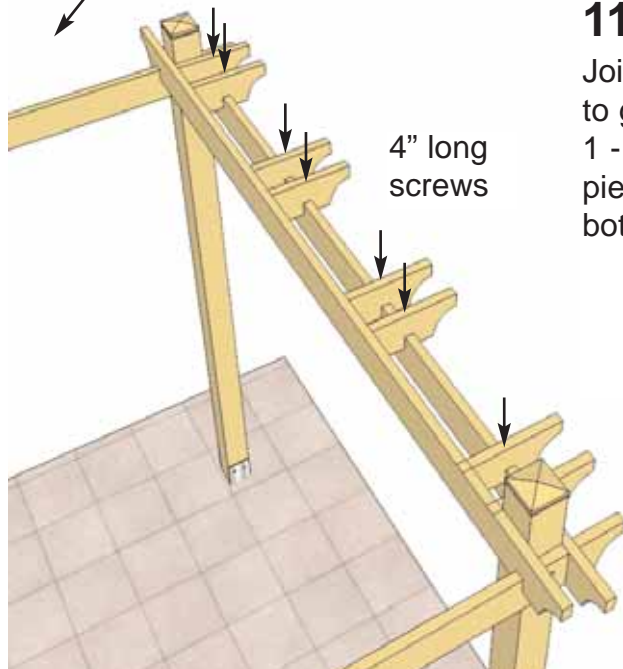
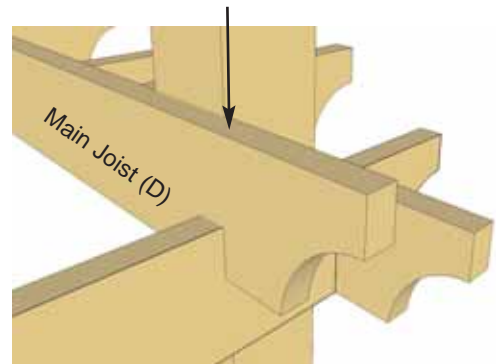


Completed Main Joist/Stub Joist connections.



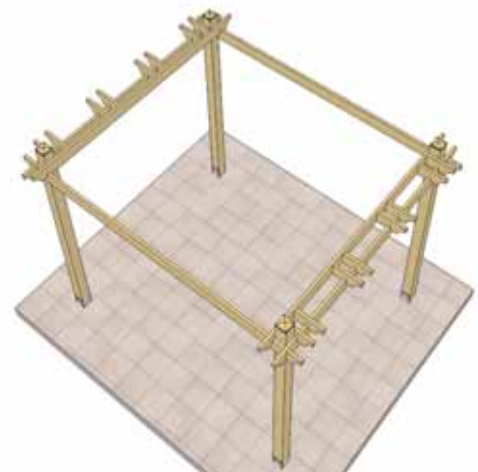
**10.** Carefully lift up completed Stub Joist / Main Joist assembly and place Main Joist between H- Girders flush against posts and notch sitting down into girder.

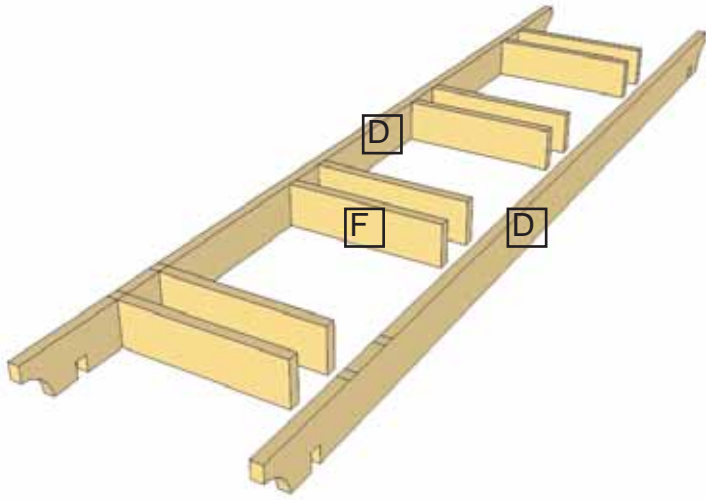
1 - 4" screw



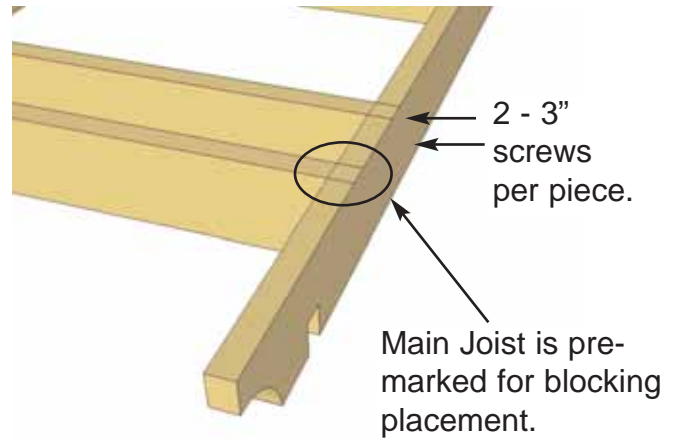
4" long screws

**11.** Attach all Stub Joists and Main Joist to girders with 1 - 4" screw per piece. Complete both assemblies

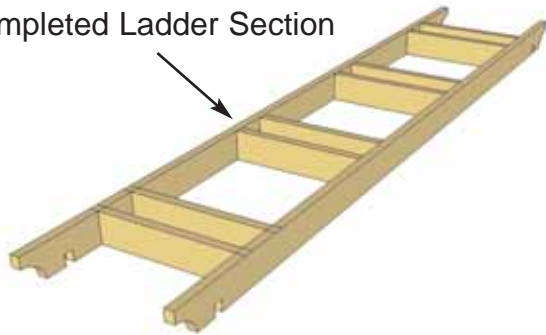




**12.** On a flat surface, position Blocking (F) where marked on Main Joist (D) and screw with 2 - 3" screws per piece. Blocking should be flush with top and bottom of Main Joist with all notches facing down.

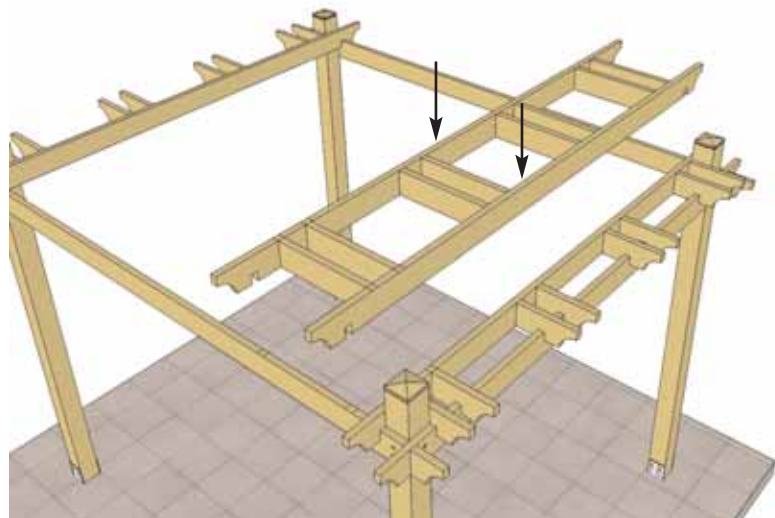


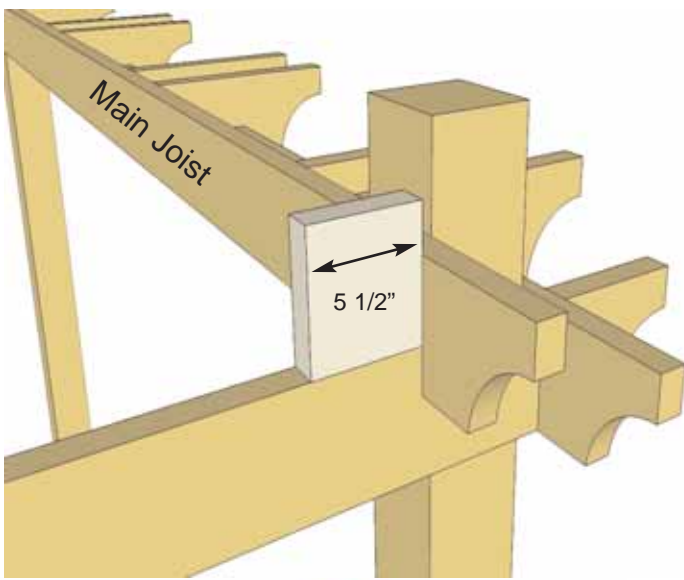
Completed Ladder Section



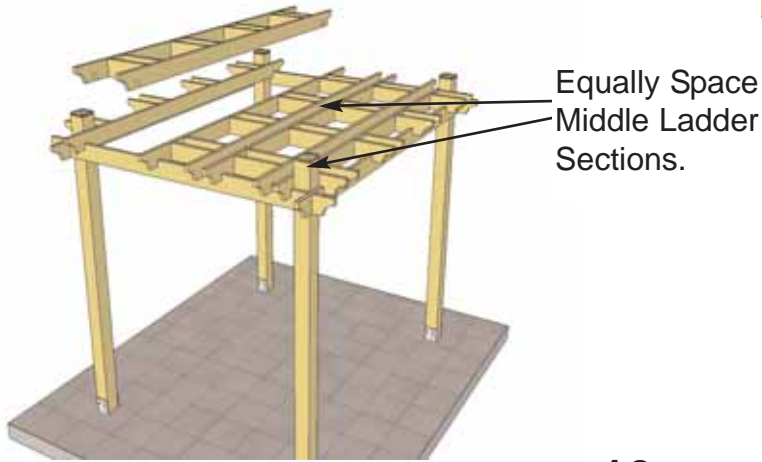
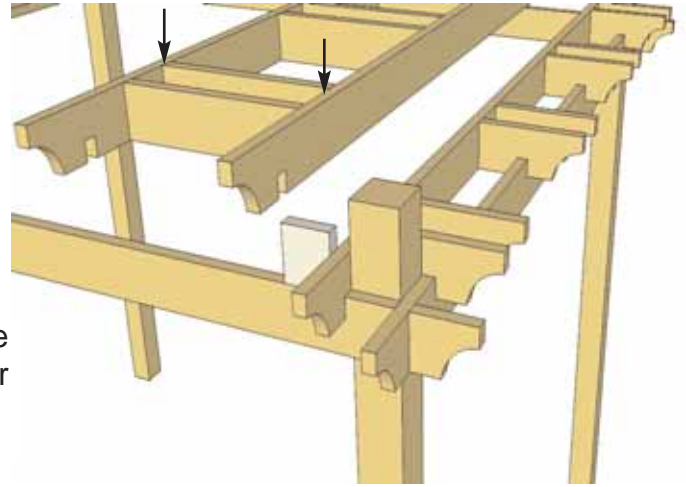
**13.** Complete all three Ladder Sections on the ground prior to moving to Step 14.

**14.** Carefully lift up one of the Ladder Sections and place between H-Girders. You will require a helper to assist in lifting up the ladder section.

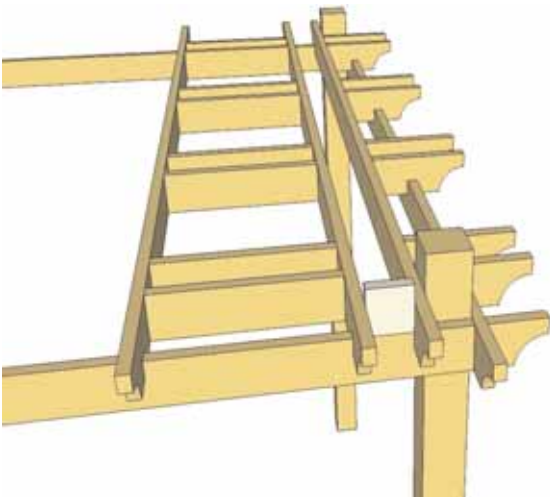




**15.** To properly position Ladder on Side Girders, use a Corner Bracket Joist Mount - 5 1/2" wide as a template. Position against Main Joist and mark. Lower complete Ladder section down so notch of joist sits on Side Girder.

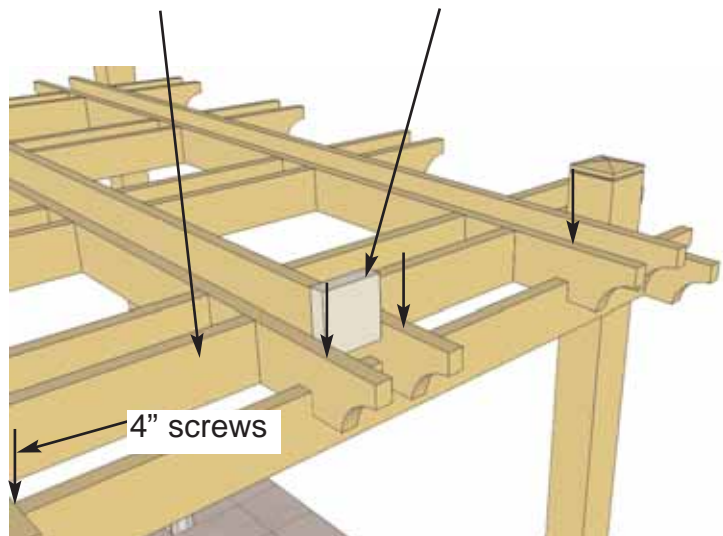


**16.** Set all remaining Ladder Sections in place. Use Corner Bracket Joist Mount - 5 1/2" wide as a template for Outside Ladder once again. Equally space Middle Ladder Sections.



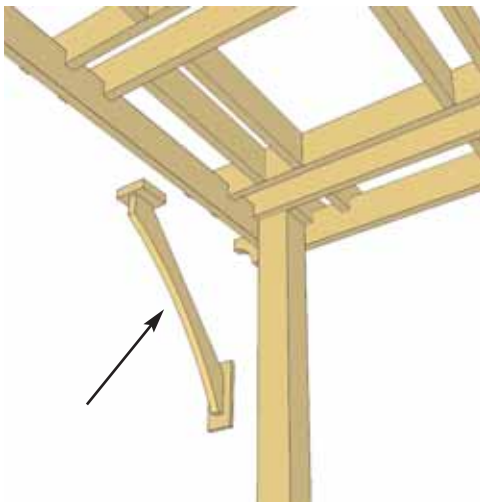
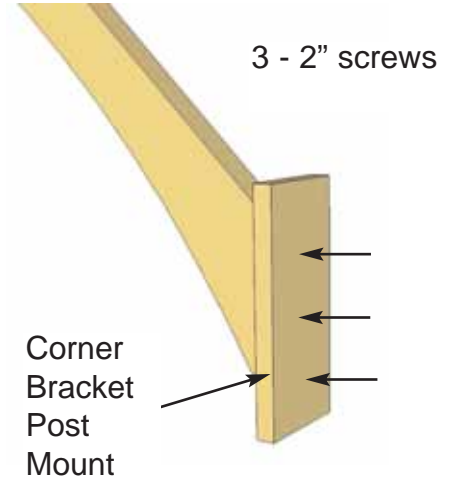
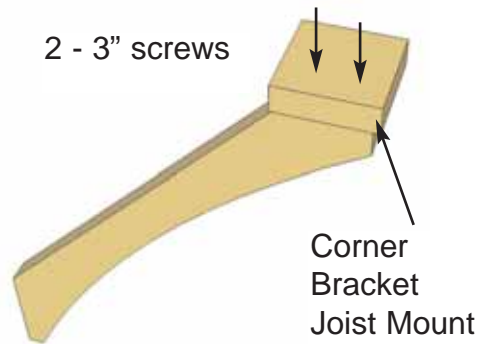
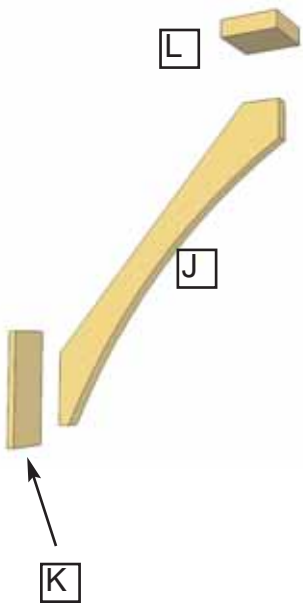
2nd Ladder Section

Use only as guide, space may vary.

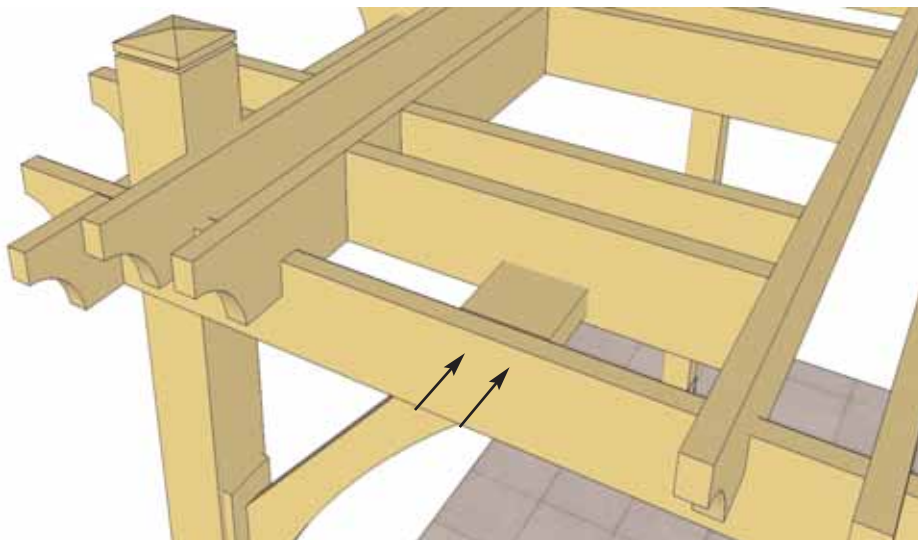
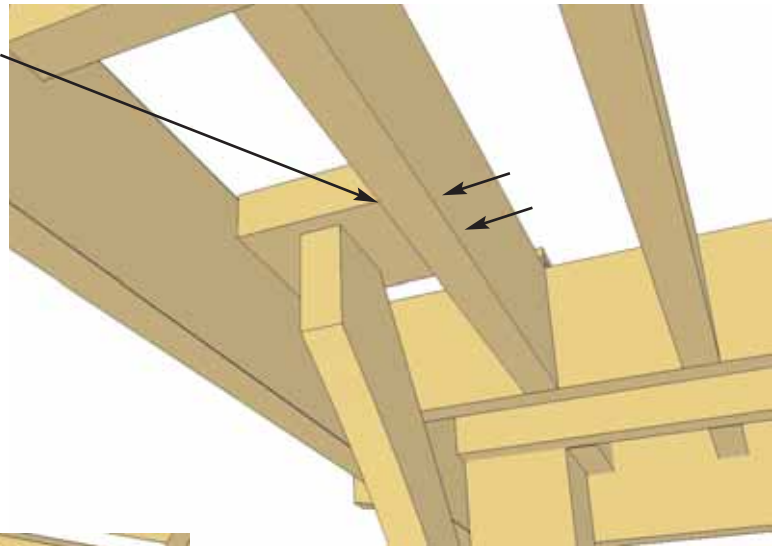


**17.** Attach Ladder to Side Girders with 4 - 4" screws per Ladder. Screw from top down into girder.

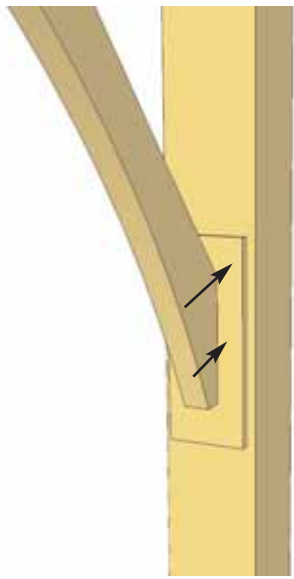
**18.** Complete Corner Bracket attachments prior to mounting Corner Brackets to Breeze - 8 Brackets. Start by attaching Corner Bracket Joist Mount (L) to top of Bracket. Joist Mount should be centered on bracket. Use 2 - 3" screws per mount. Next, attach Corner Bracket Post Mount (K) to bottom of Brackets (J) with 3 - 2" screws. Complete all Corner Brackets prior to installing them.



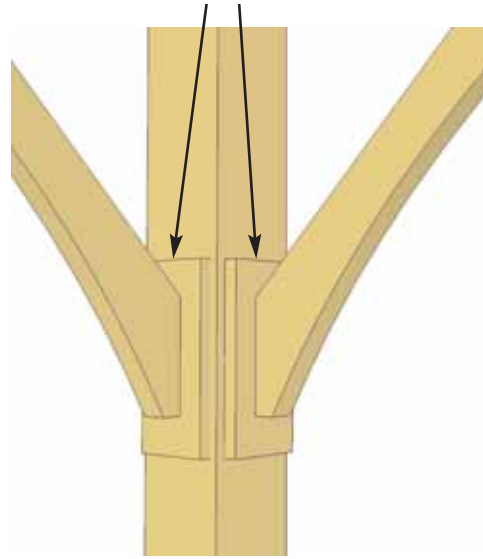
Position Bracket so Joist Mount is flush with bottom of Blocking or Main Joists. Please note that bracket can mount up higher but using the bottom will make it easier to align all brackets later.



**19.** Position Corner Bracket so Joist Mount is flush with bottom of Blocking or Main Joist and Post Mount is flush against Post. When in correct position, attach joist mount to girder and joist/blocking with 2 - 3" screws per side.



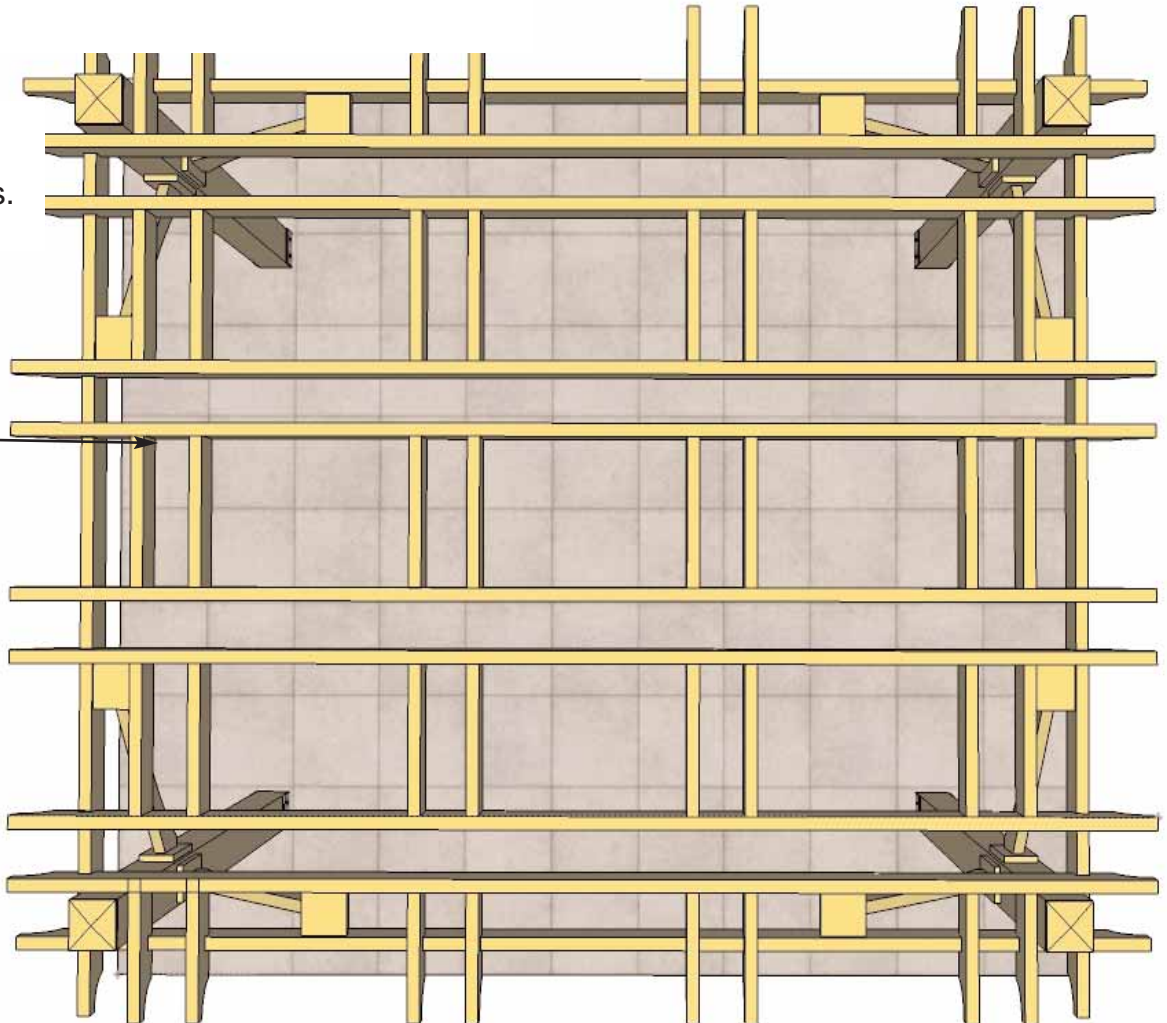
Be sure to align Bracket Post Mounts equally on posts.

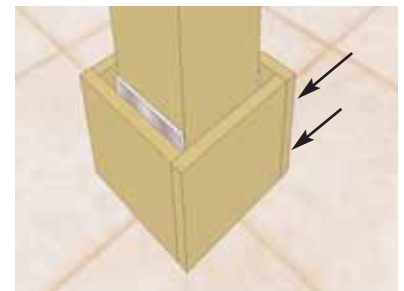
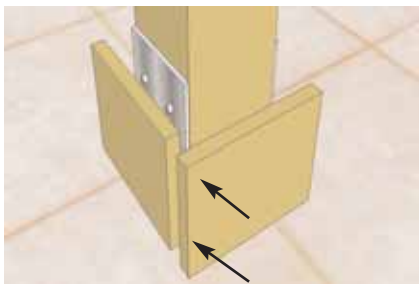


**20.** With Bracket centered on Post, attach Bracket Post Mount to Post with 6 - 2" Stainless Steel Screws. Attach remaining Corner Brackets to Posts. There will be two brackets per post.

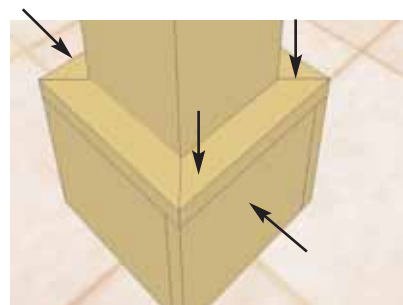
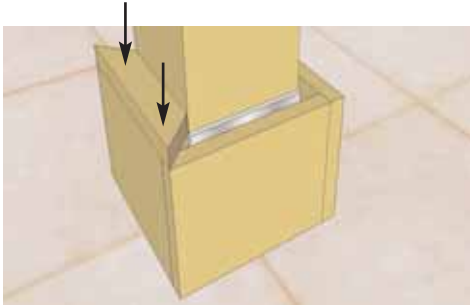
Birds Eye View of Breeze showing position of Brackets.

Joist Mount



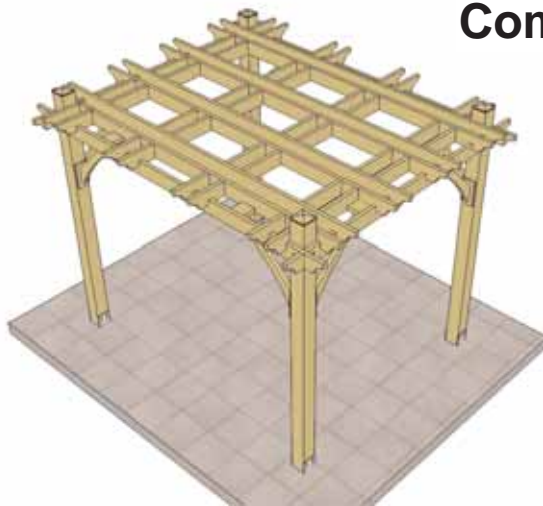


**21.** To complete your Breeze, attach Post Skirting around each post. Position 2 skirting pieces together to form an “L” shape and attach with 2 finishing nails. Complete second “L” section and attach both sections together with 2 finishing nails. Skirting pieces will fit together in what is referred to as “windmill fashion”.



**22.** Nail top cap pieces (45 degree cut on both ends) down to Post Skirting. Use 2 finishing nails per piece. Screw completed Post Skirting to post with 2 - 3” screws. Complete all Post Skirting attachments.

## Completed 10x8 Breeze



### Congratulations and thanks for purchasing a Breeze Pergola!

Note; The Breeze Pergola is an unfinished product. If exposed to the elements, the western red cedar lumber will weather to a silvery-gray color. If you prefer to keep the cedar lumber looking closer to the original color, we suggest that you treat the wood with a good oil base wood stain. You may also wish to paint your new Pergola rather than stain it. In both cases we recommend that you consult with your local paint and stain dealer in your area for their recommendations.

If you have any questions, comments or suggestions about the Breeze Pergola, please contact our customer support line @ 1-888-658-1658 or email us at [service@outdoorlivingtoday.com](mailto:service@outdoorlivingtoday.com). Thanks again!

**Customers agree to hold Outdoor Living Today and any Authorized Dealers free of any liability for improper installation, maintenance and repair of any Outdoor Living Today products.**